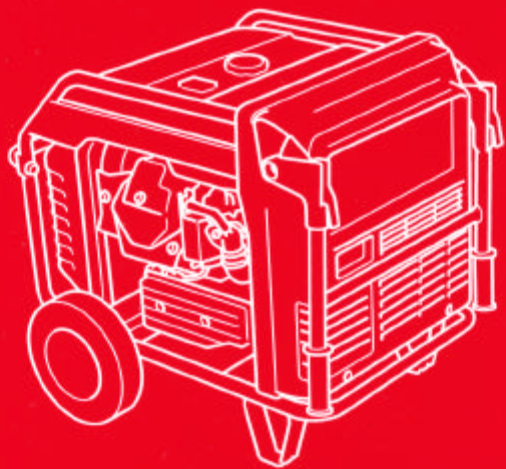


HONDA
POWER PRODUCTS

GENERATOR EM50is•EM65is



OWNER'S MANUAL

Honda EM50is-EM65is

OWNER'S MANUAL



The "e-SPEC" mark symbolizes environmentally responsible technologies applied to Honda power equipment, which contains our wish to "preserve nature for generations to come."

Thank you for purchasing a Honda generator.

This manual covers operation and maintenance of the EM50is and EM65is generators.

All information in this publication is based on the latest product information available at the time of approval for printing.

Honda Motor Co., Ltd. reserves the right to make changes at any time without notice and without incurring any obligation.

No part of this publication may be reproduced without written permission.

This manual should be considered a permanent part of the generator and should remain with it if it is resold.

Pay special attention to statements preceded by the following words:

▲WARNING Indicates a strong possibility of severe personal injury or death if instructions are not followed.

CAUTION: Indicates a possibility of personal injury or equipment damage if instructions are not followed.

NOTE: Gives helpful information.

If a problem should arise, or if you have any questions about the generator, consult an authorized Honda dealer.

▲WARNING

Honda generator is designed to give safe and dependable service if operated according to instructions. Read and understand the Owner's Manual before operating the generator. Failure to do so could result in personal injury or equipment damage.

- The illustration may vary according to the type.

CONTENTS

1. SAFETY INSTRUCTIONS	3
2. SAFETY LABEL LOCATIONS	7
CE mark and noise label locations.....	11
3. COMPONENT IDENTIFICATION.....	12
4. PRE-OPERATION CHECK.....	22
5. STARTING THE ENGINE.....	27
• High altitude operation	
6. GENERATOR USE	36
7. STOPPING THE ENGINE.....	44
8. MAINTENANCE	45
9. TRANSPORTING/STORAGE.....	57
10. TROUBLESHOOTING.....	60
11. SPECIFICATIONS.....	62
12. INSTALLATION OF KIT PARTS	66
13. MAJOR Honda DISTRIBUTOR ADDRESSES	77
14. WIRING DIAGRAM	80
(inside of back cover)	
F, G, and IT Types	W-1
L Type	W-2
R, S, and U Types.....	W-3

1. SAFETY INSTRUCTIONS

IMPORTANT SAFETY INFORMATION

Honda generators are designed for use with electrical equipment that has suitable power requirements. Other uses can result in injury to the operator or damage to the generator and other property.

Most mishaps can be prevented if you follow all instructions in this manual and on the generator. The most common hazards are discussed below, along with the best way to protect yourself and others.

Never attempt to modify the generator. It can cause an accident as well as damage to the generator and appliances.

- Do not connect an extension to the muffler.
- Do not modify the intake system.
- Do not adjust the governor.
- Do not remove the control panel or do not change the wiring of the control panel.

Operator Responsibility

Know how to stop the generator quickly in case of emergency.

Understand the use of all generator controls, output receptacles, and connections.

Be sure that anyone who operates the generator receives proper instruction. Do not let children operate the generator without parental supervision.

Be sure to observe the instructions in this manual for how to use the generator and maintenance information. Ignoring or improperly following the instructions can cause an accident such as an electric shock, and the condition of the exhaust gas may deteriorate.

Place the generator on a firm level place before operation.

Do not operate the generator with any cover removed. You may get your hand or foot caught in the generator and it may cause accident.

Consult your authorized Honda dealer for disassembly and service of the generator that are not covered in this manual.

Carbon Monoxide Hazards

Exhaust contains poisonous carbon monoxide, a colorless, odorless gas. Breathing exhaust can cause loss of consciousness and may lead to death.

If you run the generator in an area that is confined, or even partially enclosed area, the air you breathe could contain dangerous amount of exhaust gas.

Never run your generator inside a garage, house, or near open windows or doors.

Electric Shock Hazards

The generator produces enough electric power to cause a serious shock or electrocution if misused.

Using a generator or electrical appliance in wet conditions, such as rain or snow, or near a pool or sprinkler system, or when your hands are wet, could result in electrocution.

Keep the generator dry.

If the generator is stored outdoors, unprotected from the weather, check all of the electrical components on the control panel before each use. Moisture or ice can cause a malfunction or short circuit in electrical components that could result in electrocution.

If you get an electric shock, consult a doctor and have medical treatment immediately.

Do not connect to a building's electrical system unless an isolation switch has been installed by a qualified electrician.

Fire and Burn Hazards

Do not use the generator in areas with a high risk of fire.

When installed in ventilated rooms, additional requirements for fire and explosion protection shall be observed.

The exhaust system gets hot enough to ignite some materials.

- Keep the generator at least 1 meter (3 feet) away from buildings and other equipment during operation.
- Do not enclose the generator in any structure.
- Keep flammable materials away from the generator.

Some parts of the internal combustion engine are hot and may cause burns. Pay attention to the warnings on the generator.

The muffler becomes very hot during operation and remains hot for a while after stopping the engine. Be careful not to touch the muffler while it is hot. Let the engine cool before storing the generator indoors.

Do not pour the water directly on the generator to put out the fire when it occurs. Use an appropriate fire extinguisher specially designed for electric fire or oil fire.

If you inhale fumes produced by an accidental fire with the generator, consult a doctor and have medical treatment immediately.

Refuel With Care

Gasoline is extremely flammable, and gasoline vapor can explode. Allow the engine to cool if the generator has been in operation.

Refuel only outdoors in a well ventilated area with the engine OFF.

Do not overfill the fuel tank.

Never smoke near gasoline, and keep other flames and sparks away.

Always store gasoline in an approved container.

Make sure that any spilled fuel has been wiped up before starting the engine.

Disposal

To protect the environment, do not dispose of the used generator, battery, engine oil, etc. carelessly by leaving them in the waste. Observe the local laws or regulations or consult your authorized Honda generator dealer to dispose of these parts.

Please dispose of used motor oil in a manner that is compatible with the environment. We suggest you take it in a sealed container to your local service station for reclamation. Do not throw it in the trash or pour it on the ground.

An improperly disposed battery can hurt the environment. Always confirm local regulations for battery disposal. Contact your Honda servicing dealer for a replacement.



- **Honda generator is designed to give safe and dependable service if operated according to instructions.**

Read and understand the Owner's Manual before operating the generator. Failure to do so could result in personal injury or equipment damage.



- **Exhaust contains poisonous carbon monoxide, a colorless, odorless gas. Breathing carbon monoxide can cause loss of consciousness and may lead to death.**
- **If you run the generator in an area that is confined, or even partially enclosed area, the air you breathe could contain a dangerous amount of exhaust gas.**
- **Never run your generator inside a garage, house or near open windows or doors.**



- **Do not connect to a building's electrical system unless an isolation switch has been installed by a qualified electrician.**
- **Connections for standby power to a building's electrical system must be made by a qualified electrician and must comply with all applicable laws and electrical codes. Improper connections can allow electrical current from the generator to backfeed into the utility lines. Such backfeed may electrocute utility company workers or others who contact the lines during a power outage, and when utility power is restored, the generator may explode, burn, or cause fires in the building's electrical system.**



- Ⓜ STOP THE ENGINE BEFORE REFUELING.
- Ⓧ ARRÊTEZ LE MOTEUR AVANT DE REFAIRE LE PLEIN.
- Ⓧ VOR AUFTANKEN MOTOR ABSTELLEN.
- Ⓧ ARRESTARE IL MOTORE PRIMA DI FARE RIFORMIMENTO.
- Ⓧ STOP DE MOTOR ALVORENS BIJ TE TANKEN.
- Ⓧ PARE EL MOTOR ANTES DE REPOSTAR.
- Ⓧ DESLIGUE O MOTOR ANTES DE ABASTECER.
- Ⓧ ΣΤΑΜΑΤΕ ΤΗ ΜΗΧΑΝΗ ΠΡΙΝ ΤΟΝ ΑΝΕΦΟΔΙΑΣΜΟ ΜΕ ΚΑΥΣΙΜΑ.
- Ⓧ STÅNG AV MOTORN FÖRE BRÄNSLEPÅFYLLNING.
- Ⓧ STOP MOTOREN FÖR BRÄNDSTOFFPÅFYLLNING.
- Ⓧ SLÅ AV MOTOREN FÖR PÅFYLLNING.
- Ⓧ SAMMUTA MOOTTORI ENNEN TANKKAUSTA.

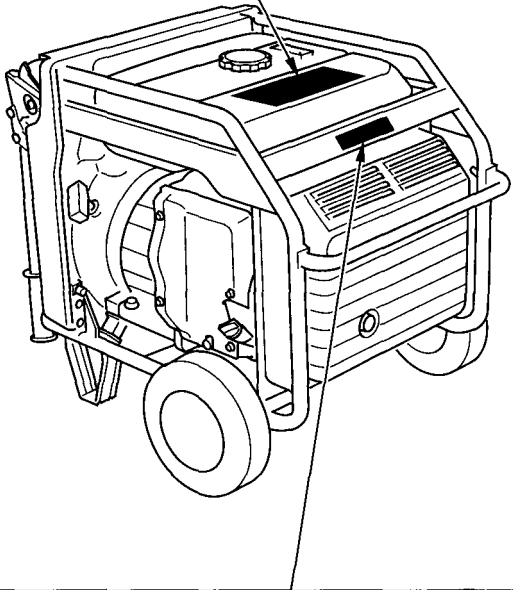
- **Stop the engine before refueling.**
- **Gasoline is extremely flammable and explosive under certain conditions. Refuel in a well ventilated area with the engine stopped.**
- **Keep away from cigarette, smoke and sparks when refueling the generator. Always refuel in a well ventilated location.**
- **Wipe up spilled gasoline at once.**




**A hot exhaust system can cause serious burns.
Avoid contact if the engine has been running.**

S, R, U, L types

<p>⚠ CAUTION</p> <ul style="list-style-type: none"> ■ DO NOT USE INDOORS DUE TO DANGER OF CARBON MONOXIDE POISONING. ■ DO NOT CONNECT THE RECEPTACLE OF THIS GENERATOR TO HOUSE WIRING. ■ STOP THE ENGINE BEFORE REFUELING. ■ CHECK FOR SPILLED FUEL OR FUEL LEAKS. ■ DO NOT FILL THE FUEL TANK BEYOND THE UPPER LIMIT LINE. ■ FOR DETAILED EXPLANATION, READ THE OWNER'S MANUAL. <p>⚠ ATTENTION</p> <ul style="list-style-type: none"> ■ NE PAS UTILISER DANS UN LOCAL CLOS OÙ LES VAPEURS NOCIVES DE MONOXYDE DE CARBONE PEUVENT S'ACCUMULER. ■ NE JAMAIS CONNECTER LE GROUPE ÉLECTROGÈNE À UNE PRISE DE SECTEUR. ■ ARRÊTER LE MOTEUR AVANT DE FAIRE LE PLEIN D'ESSENCE. ■ CONTRÔLER QU'IL N'Y A NI FUITE D'ESSENCE, NI D'ESSENCE REPAISSIE SUR L'APPAREIL. ■ NE PAS REMPLIR LE RÉSERVOIR D'ESSENCE AU-DESSUS DU REPÈRE DE NIVEAU MAXIMUM. ■ POUR PLUS D'INFORMATIONS, LIRE LE MANUEL DE L'UTILISATEUR. 	<p>⚠ ATENCIÓN</p> <ul style="list-style-type: none"> ■ NO LO USE EN LUGARES CERRADOS, DEBIDO A QUE EL MONÓXIDO DE CARBONO ES VENENOSO. ■ NO CONECTE LA SALIDA DE ESTE GENERADOR A LA INSTALACIÓN ELÉCTRICA DE CASA. ■ PARAR EL MOTOR ANTES DE ECHAR COMBUSTIBLE AL DEPÓSITO. ■ INSPECCIONAR PARA COMBUSTIBLE DERRAMADO O ESCAPADO. ■ NO LLENAR EL DEPÓSITO DE COMBUSTIBLE POR ENCIMA DE LA MARCA LÍMITE SUPERIOR. ■ CONSULTE EL MANUAL DEL PROPIETARIO PARA LOS DETALLES SOBRE EL MANEJO. <p>تنبيه ■ لا تستخدمه بداخل المغلقة نظراً لخطورة التسمم بغاز أول أكسيد الكربون. ■ لا تصلق فتحة إشراج هذا النوع الكهربائي بشبكة الأسلاك المنزلية. ■ توقف المبرك قبل إضافة الوقود. ■ راجع من أجل وجود وقود متسكب أو تسريبات الوقود. ■ لا تملأ خزان الوقود أكثر من الحد الأقصى المسموح. ■ للحصول على مزيد من التفاصيل، اقرأ دليل المستخدم.</p>
---	---

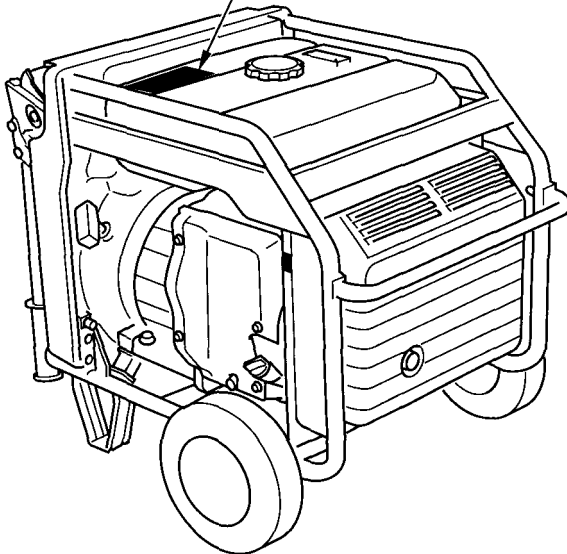
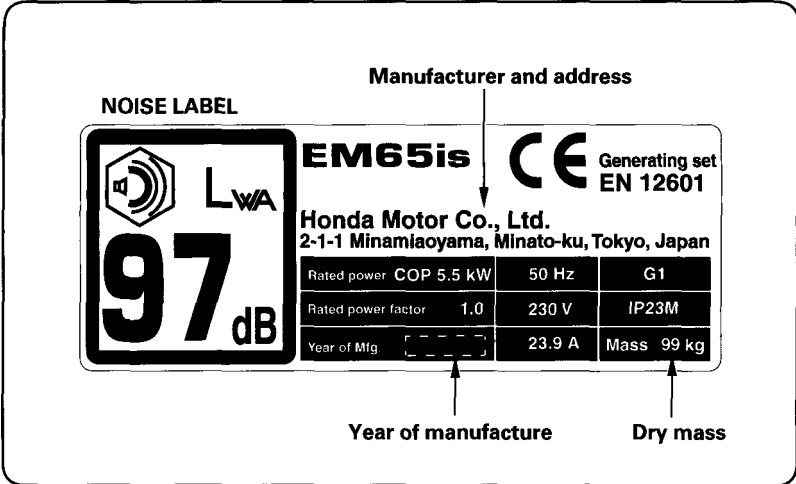




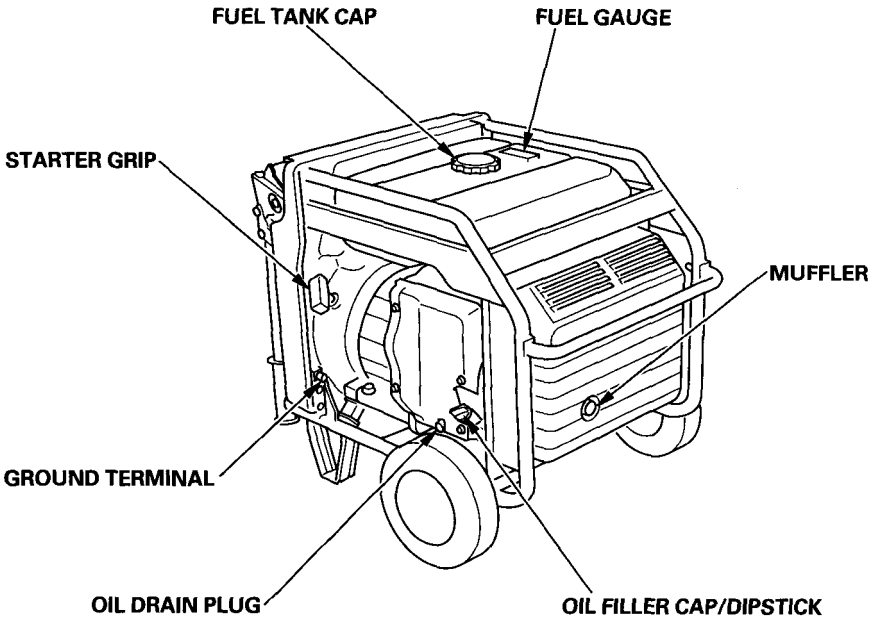
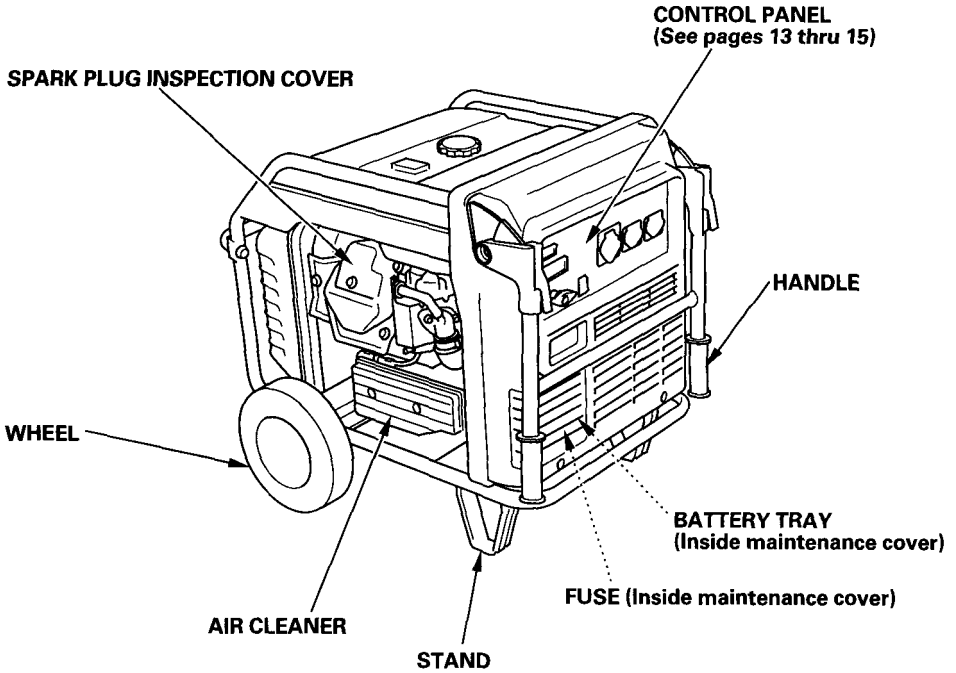
HOT-EXHAUST
ECHAPPEMENT-CHAUD

• CE mark and noise label locations

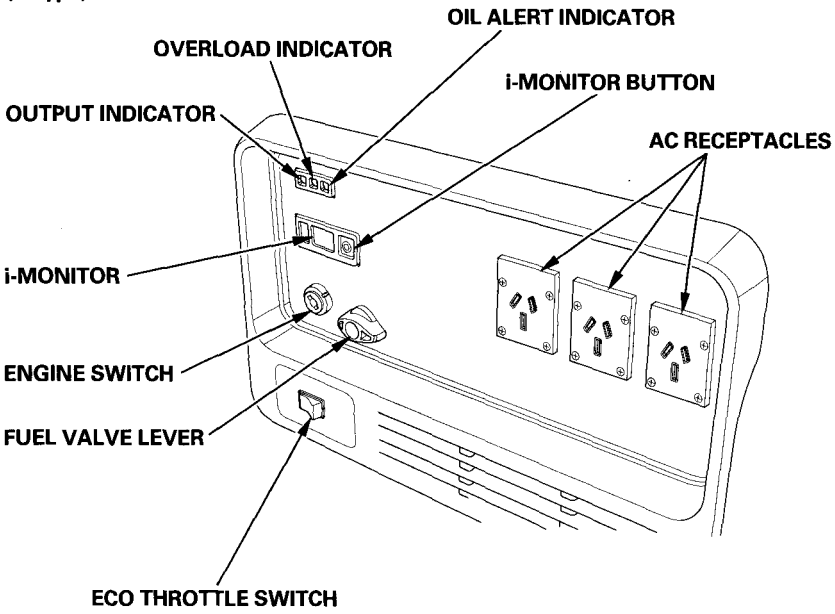
NOISE LABEL AND CE MARK

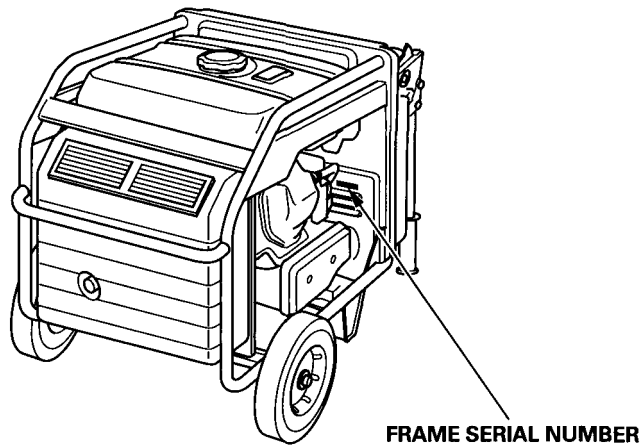


3. COMPONENT IDENTIFICATION



(U type)





Record the frame serial number in the space below. You will need this serial number when ordering parts.

Frame serial number: _____

Eco Throttle

ON:

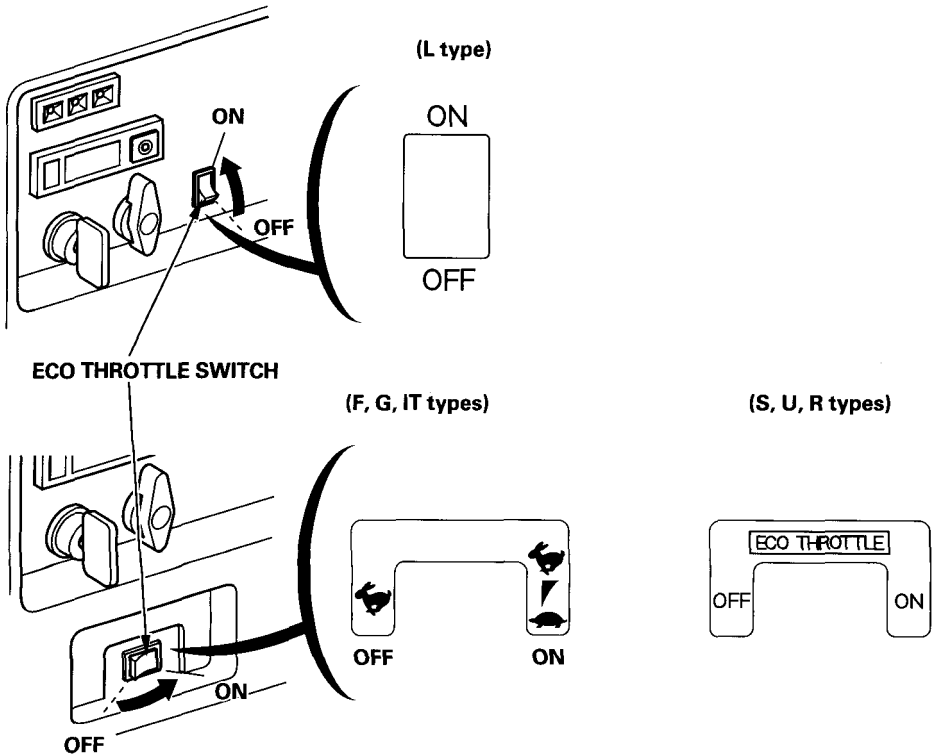
Engine speed is kept at idle automatically when the electrical appliance is disconnected and it returns to the proper speed by the electrical load when electrical appliance is connected. This position is recommended to minimize the fuel consumption while in operation.

NOTE:

- When high electrical load appliances is connected simultaneously, turn the Eco Throttle switch to the OFF position to reduce voltage changes.
- Eco Throttle system does not operate sufficiently if the electrical appliance requires the momentary electric power.

OFF:

Eco Throttle system does not operate. Engine speed is kept over rated speed.



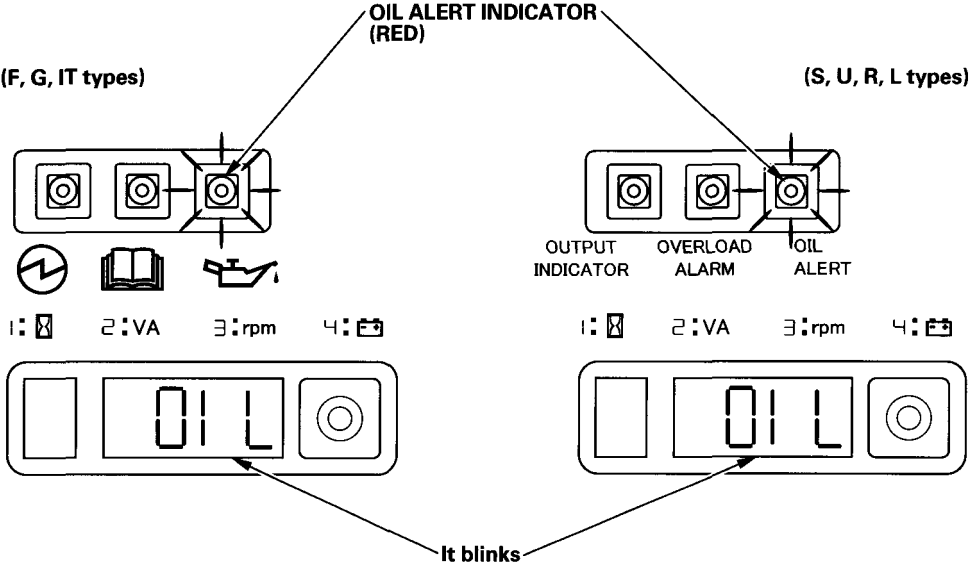
Oil Alert system

The Oil Alert system is designed to prevent the engine damage caused by an insufficient amount of oil in the crankcase. Before the oil level in the crankcase can fall below a safe limit, the Oil Alert indicator comes on and the Oil Alert system automatically will stop the engine (the engine switch will remain in the ON position).

The i-Monitor display will show "OIL" on the screen and the Oil Alert indicator will illuminate.

If the engine stops or the Oil Alert indicator comes on when you turn the engine switch to the START position or pull the starter grip, check the engine oil level (see page 22) before troubleshooting in other areas.

Even when the oil is added to the engine, the generator will not restart until the Oil Alert indicator is reset. To reset the Oil Alert indicator, turn the engine switch to the OFF position, add the proper amount of oil (see page 40), and then turn the engine switch back to the ON position.



i-Monitor

The i-Monitor is a user interface that allows the operator to view (when the generator is running) total operating time in hours, generator output, engine RPM, battery voltage, and error messages. The different display modes are selected by pressing the i-Monitor button.

i-Monitor at Start Up

During start up, the i-Monitor display and all three indicators will simultaneously blink once. The condition of the i-Monitor display and all three indicators can be checked with the aid of an observer. Once the generator is running, the Output indicator (green) and the i-Monitor display will remain lit.

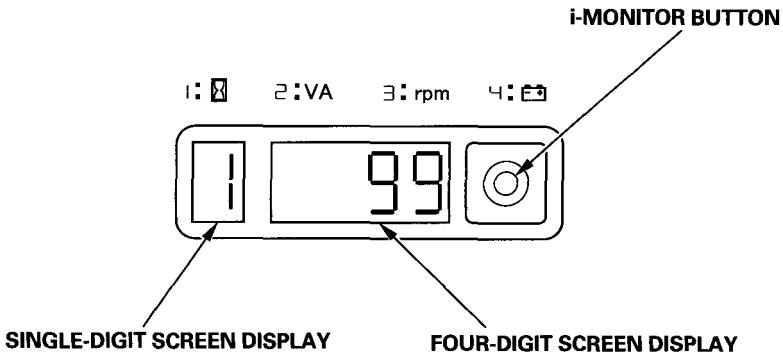
Backlight blinks

When turning the engine switch to the ON position with having not start the engine over 30 seconds, display starts to blink.

Please start the engine or turn the engine switch to the OFF position.

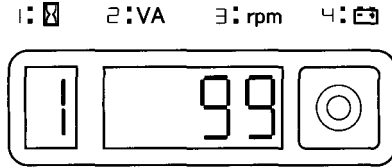
i-Monitor Display

The i-Monitor display is divided into two screens. The single-digit screen display the i-Monitor mode which is represented by a number 1 through 4. The four-digit screen displays the four mode values total operating hours, power output, engine RPM and battery Voltage or any activated error messages.



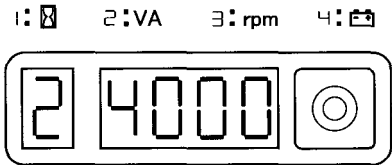
i-Monitor Display Mode 1 – Total Operating Hours

This mode displays the total operating hours of the generator. When the generator is running, the total operating time accumulates. If the total operating time is less than one hour, the numeric display will be "0." When the operating time is one hour or greater, the display will be "1" or "2" and so on. Base the generator's maintenance schedule on the accumulated time displayed.



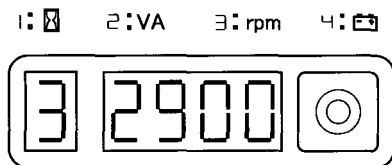
i-Monitor Display Mode 2 – Power Output

This mode displays an approximate generator output on the display screen. The output is expressed in VA (volt amperes). The output value is not an exact measurement and should be regarded as a reference only. Power output will not display until a load is connected to the generator.



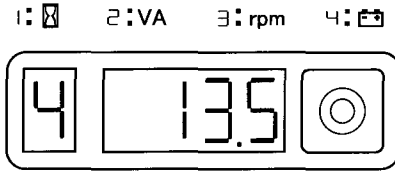
i-Monitor Display Mode 3 – Engine RPM

When the i-Monitor is in this mode, the engine's speed, expressed in revolutions-per-minute (RPM), is displayed.



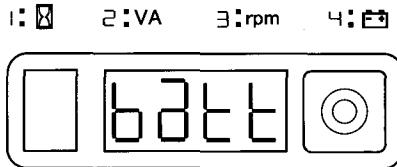
i-Monitor Display Mode 4 – Battery Voltage

This mode displays the battery condition, expressed in Volts DC.



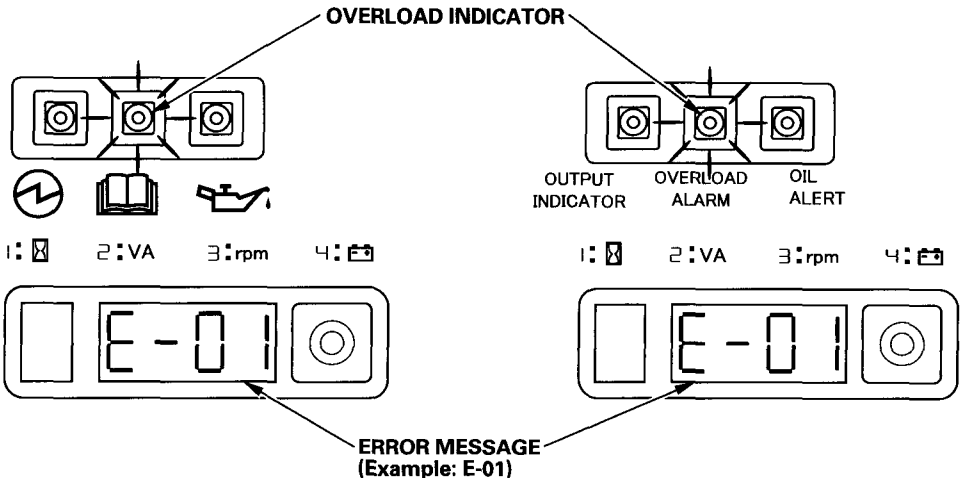
i-Monitor Low Battery Message

If the engine switch is turned to the START position and "batt" is shown on the i-Monitor display, the battery voltage is too low to operate the engine's electric starter. Use the recoil starter to start the generator. Have the battery recharged and checked (see pages 50 thru. 52).



i-Monitor System Error Messages

If the generator has a system malfunction, it will show an error message on the i-Monitor display. If an error message displays, contact an authorized Honda generator dealer.



4. PRE-OPERATION CHECK

CAUTION:

Be sure to check the generator on a level surface with the engine stopped.

1. Check the engine oil level.

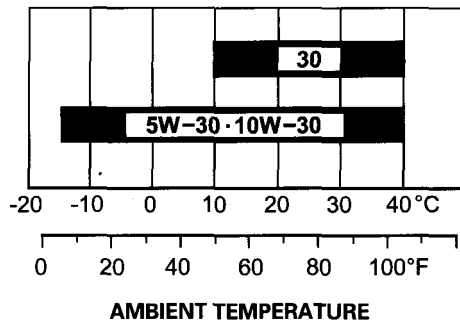
CAUTION:

Using non detergent oil or 2-stroke engine oil could shorten the engine's service life.

Use high-detergent, premium quality 4-stroke engine oil, certified to meet or exceed U.S. automobile manufacturer's requirements for API service category SE or later (or equivalent).

Select the appropriate viscosity for the average temperature in your area.

SAE 10W-30 is recommended for general use. Other viscosities shown in the chart may be used when the average temperature in your area is within the indicated range.

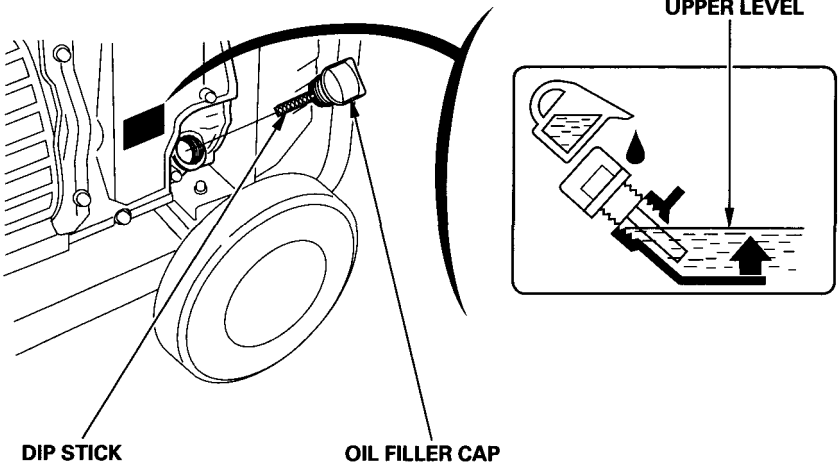


Remove the oil filler cap, and wipe the dipstick with a clean rag. Check the oil level by inserting the dipstick in the filler hole without screwing it in.

If the oil level is below the end of the dipstick, refill with recommended oil up to the top of the oil filler neck.

CAUTION:
Running the engine with insufficient oil can cause serious engine damage.

NOTE:
The Oil Alert System will automatically stop the engine before the oil level falls below the safe limit. However, to avoid the inconvenience of an unexpected shutdown, it is still advisable to visually inspect the oil level regularly.



2. Check the fuel level.

If the fuel level is low, refill to the shoulder of the fuel strainer.

After refueling, tighten the fuel filler cap securely.

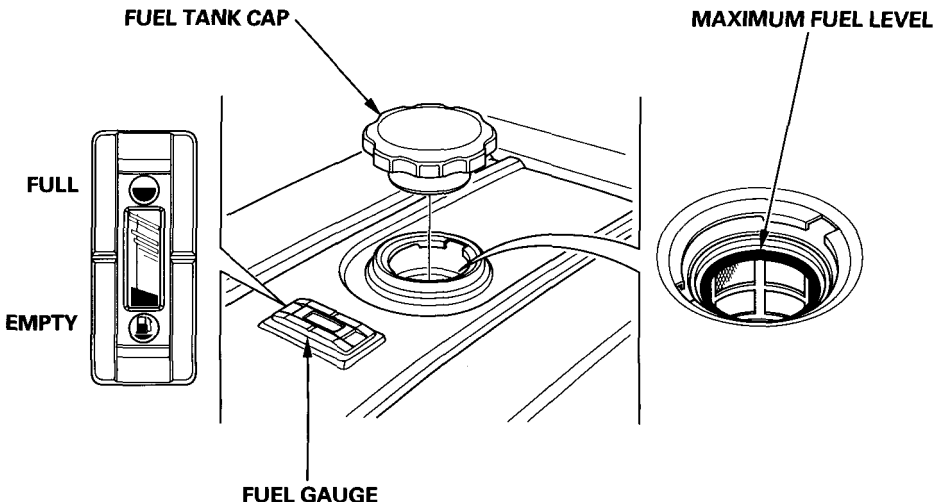
Use automotive unleaded gasoline with a Research Octane Number of 91 or higher (a Pump Octane Number of 86 or higher).

Never use stale or contaminated gasoline or an oil/gasoline mixture. Avoid getting dirt or water in the fuel tank.

▲WARNING

- Gasoline is extremely flammable and is explosive under certain conditions.
- Refuel in a well ventilated area with the engine stopped. Do not smoke or allow flames or sparks in the area where the engine is refueled or where gasoline is stored.
- Do not overfill the fuel tank. After refueling, make sure the fuel filler cap is closed properly and securely.
- Be careful not to spill fuel when refueling. Spilled fuel or fuel vapor may ignite. If any fuel is spilled, make sure the area is dry before starting the engine.
- Avoid repeated or prolonged contact with skin or breathing of vapor.

KEEP OUT OF REACH OF CHILDREN.



NOTE:

Gasoline spoils very quickly depending on factors such as light exposure, temperature and time.

In worst cases, gasoline can be contaminated within 30 days.

Using contaminated gasoline can seriously damage the engine (carburetor clogged, valve stuck).

Such damage due to spoiled fuel is disallowed from coverage by the warranty.

To avoid this please strictly follow these recommendations:

- Only use specified gasoline (see page 24).
- Use fresh and clean gasoline.
- To slow deterioration, keep gasoline in a certified fuel container.
- If long storage (more than 30 days) is foreseen, drain fuel tank and carburetor.

Gasolines Containing Alcohol

If you decide to use a gasoline containing alcohol (gasohol), be sure its octane rating is at least as high as that recommended by Honda. There are two types of "gasohol": one containing ethanol, and the other containing methanol.

Do not use gasohol that contains more than 10% ethanol. Do not use gasoline containing methanol (methyl or wood alcohol) that does not also contain cosolvents and corrosion inhibitors for methanol. Never use gasoline containing more than 5% methanol, even if it has cosolvents and corrosion inhibitors.

NOTE:

- Fuel system damage or engine performance problems resulting from the use of fuels that contain alcohol is not covered under the warranty.

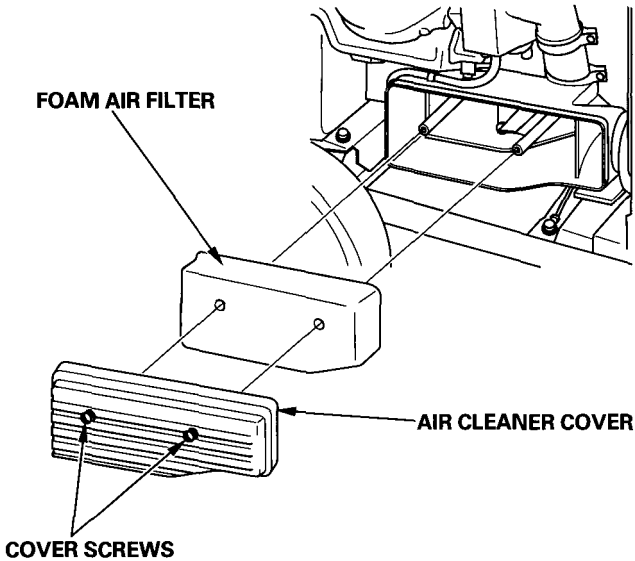
Honda cannot endorse the use of fuels containing methanol since evidence of their suitability is as yet incomplete.

- Before buying fuel from an unfamiliar station, try to find out if the fuel contains alcohol, if it does, confirm the type and percentage of alcohol used.

If you notice any undesirable operating symptoms while using a gasoline that contains alcohol, or one that you think contains alcohol, switch to a gasoline that you know does not contain alcohol.

3. Check the air cleaner.

Loosen the cover screws and remove the air cleaner cover.
Remove the foam air filter from the air cleaner housing.
Check the foam air filter to be sure it is clean and in good condition.
If the foam air filter is dirty, clean it as described on page 48.
Replace the foam air filter if it is damaged.
Reinstall the foam air filter in the air cleaner housing.



CAUTION:

Never run the engine without the form air filter. Rapid engine wear will result from contaminants, such as dust and dirt, being drawn through the carburetor, into the engine.

5. STARTING THE ENGINE

Electric starting

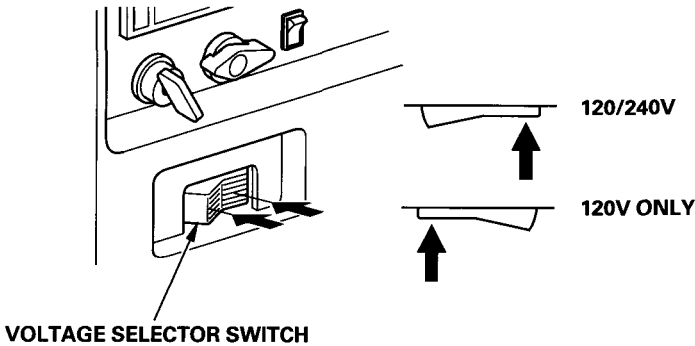
CAUTION:

When starting the generator after adding fuel for the first time, after long-term storage, or after running out of fuel, turn the fuel valve lever to the ON position, then wait for 10 to 20 seconds before starting the engine.

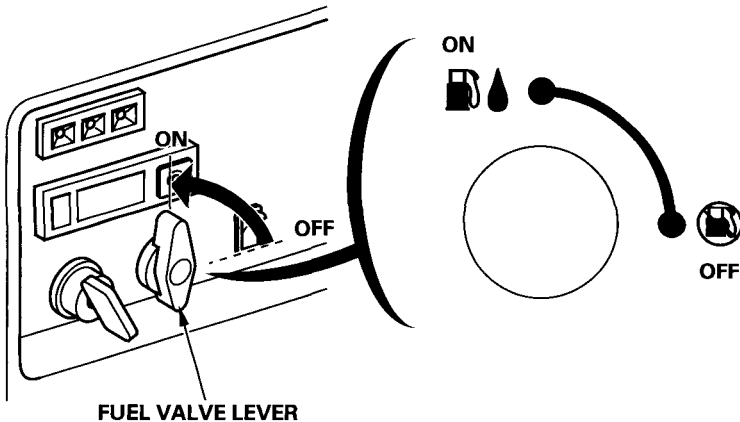
Before starting the engine disconnect any load from the AC receptacle.

1. L type only:

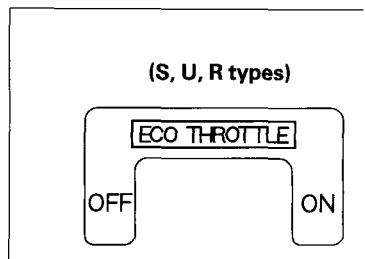
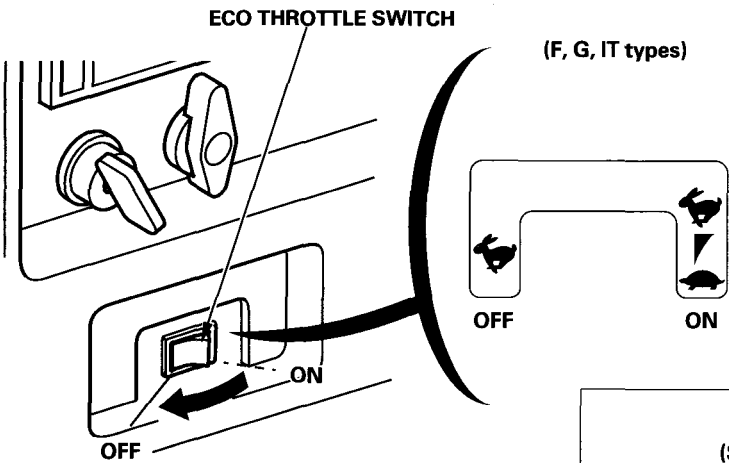
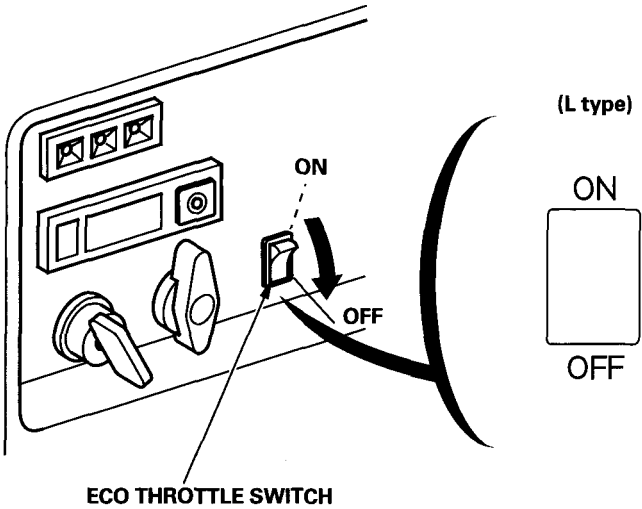
Set the Voltage Selector Switch to match the voltage requirements for the application.



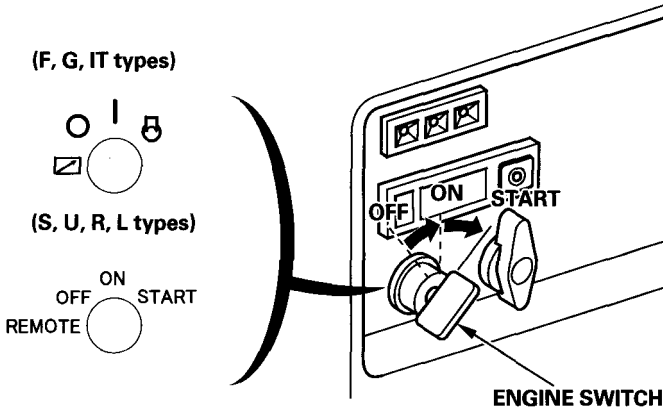
2. Turn the fuel valve lever to the ON position.



3. Make sure the Eco Throttle switch is in the OFF position, or more time will be required for warm-up.



4. Turn the engine switch to the START position and hold it there until the engine starts.



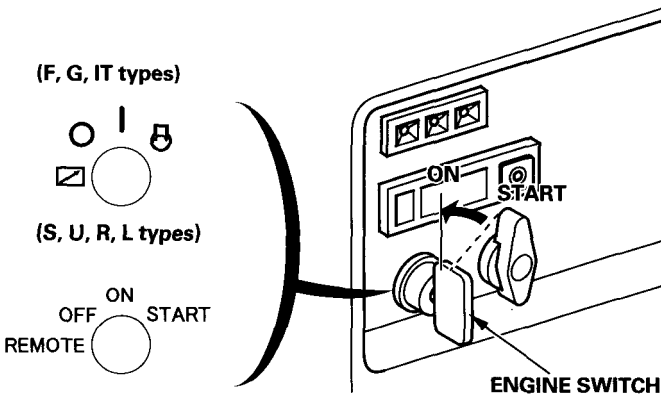
CAUTION:

Do not use the starter motor for more than 5 seconds. If the engine fails to start, release the key, and wait at least 10 seconds before operating the starter motor again.

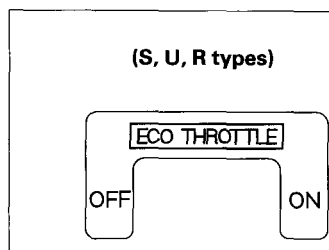
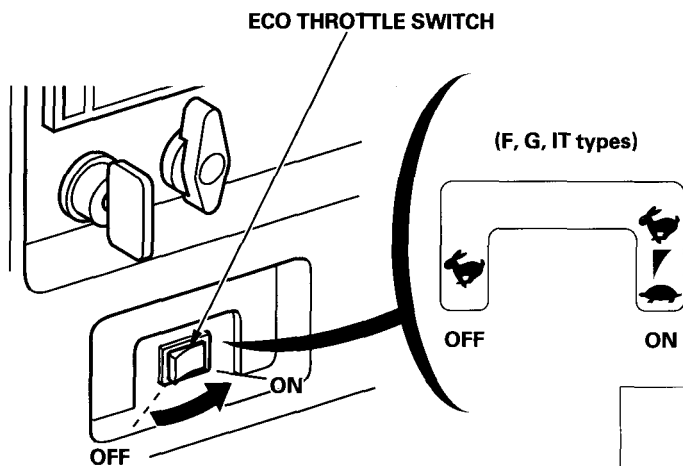
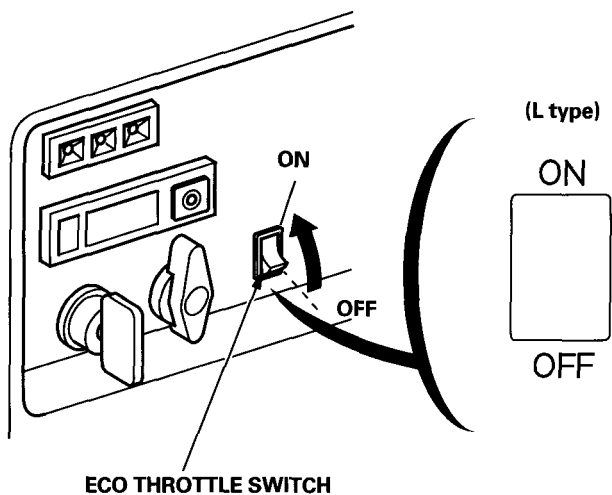
NOTE:

When the speed of the starter motor drops after a period of time, it is an indication that the battery should be recharged.

5. After the engine starts, let the engine switch return to the ON position.



6. If you wish to use the Eco Throttle system, turn the Eco Throttle switch to the ON position after the engine has warmed up for 2 or 3 minutes.



Manual starting

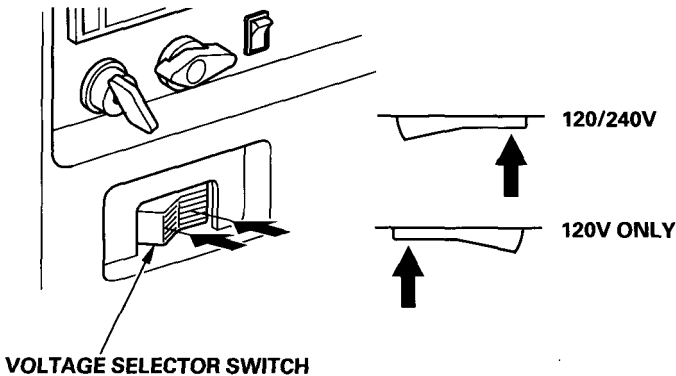
CAUTION:

When starting the generator after adding fuel for the first time, after long-term storage, or after running out of fuel, turn the fuel valve lever to the ON position, then wait for 10 to 20 seconds before starting the engine.

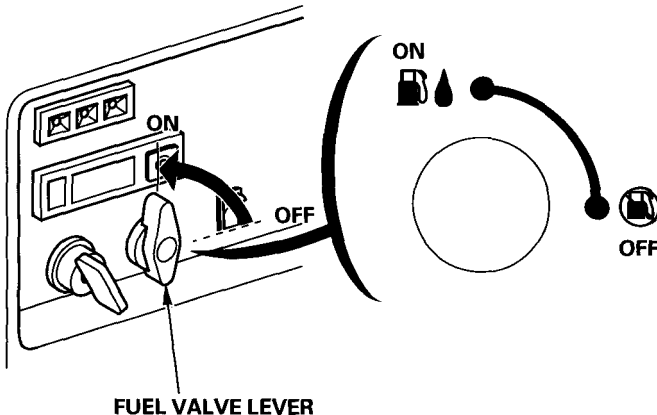
Before starting the engine disconnect any load from the AC receptacle.

1. L type only

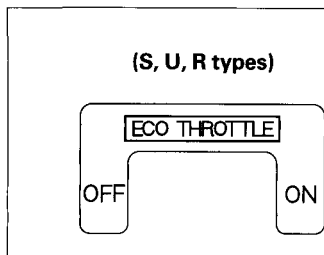
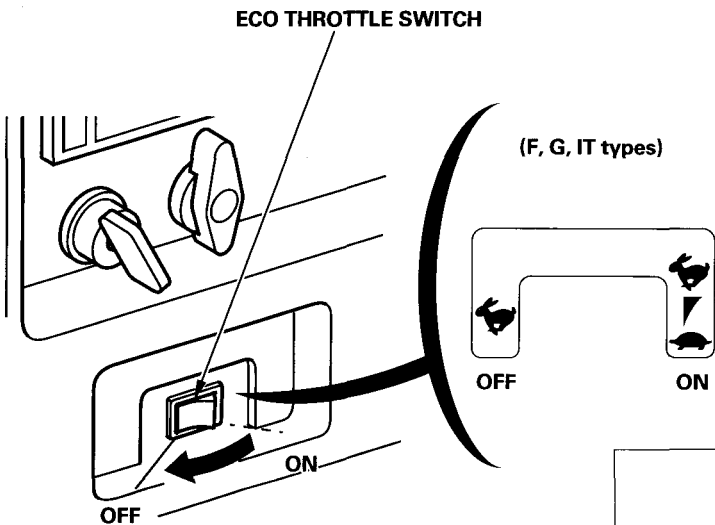
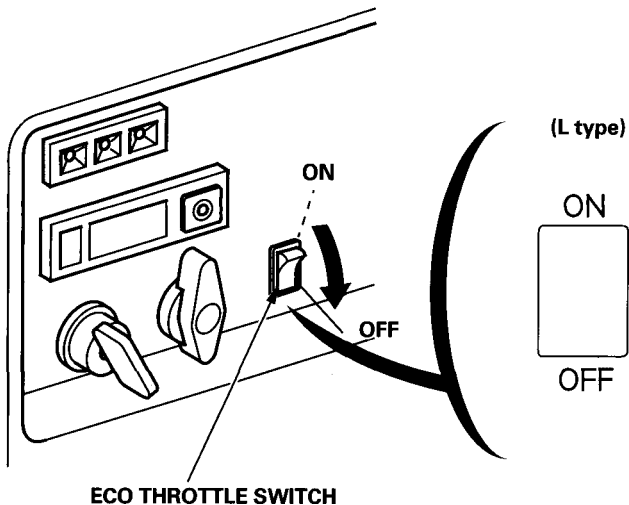
Set the Voltage Selector Switch to match the voltage requirements for the application.



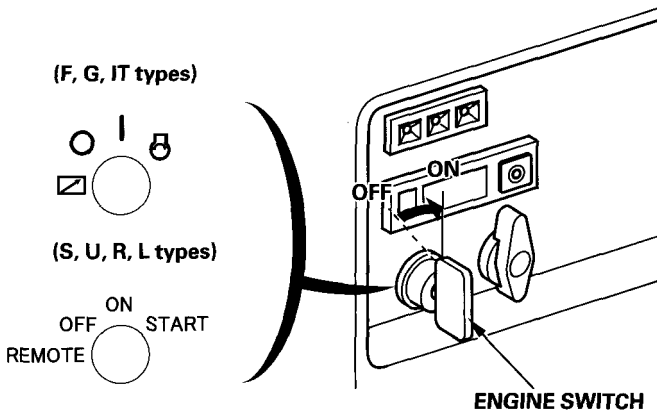
2. Turn the fuel valve lever to the ON position.



3. Make sure the Eco Throttle switch is in the OFF position, or more time will be required for warm-up.



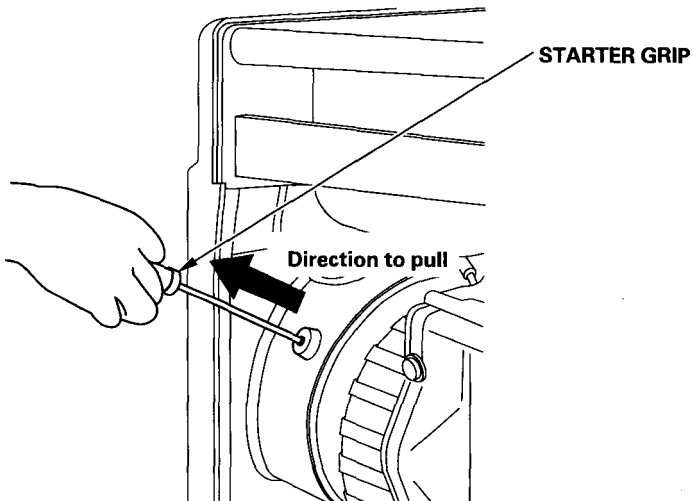
4. Turn the engine switch to the ON position.



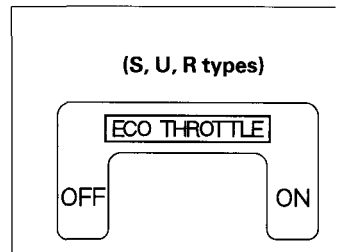
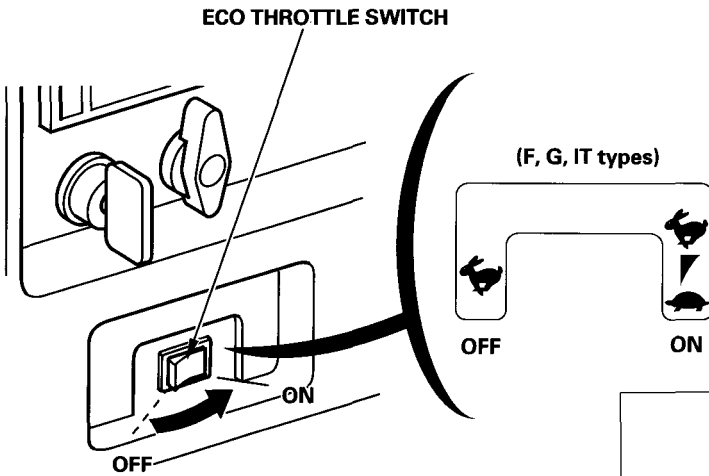
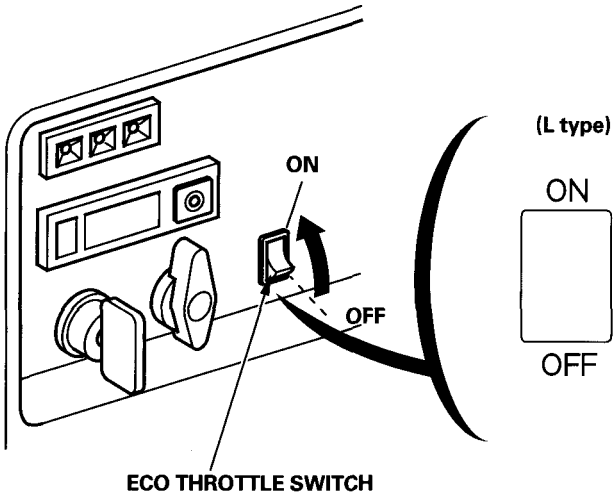
5. Pull the starter grip lightly until you feel resistance, then pull the starter grip briskly toward in the direction of the arrow as shown below.

CAUTION:

- The starter rope can be drawn back very quickly before you release it. This may pull your hand forcefully toward the engine and cause an injury.
- Do not allow the starter grip to snap back. Return it slowly by hand.
- Do not let the starter rope rub against the generator body, or the rope will wear out prematurely.



6. If you wish to use the Eco Throttle system, turn the Eco Throttle switch to the ON position after the engine has warmed up for 2 or 3 minutes.



- **High altitude operation**

At high altitude, the standard carburetor air-fuel mixture will be excessively rich. Performance will decrease, and fuel consumption will increase.

High altitude performance can be improved by specific modifications to the carburetor. If you always operate the generator at altitudes higher than 1,500-meter (5,000 feet) above sea level, have your authorized Honda dealer perform these carburetor modifications.

Even with suitable carburetor jetting, engine horsepower will decrease approximately 3.5% for each 300-meter (1,000-foot) increase in altitude. The affect of altitude on the horse power will be greater than this if no carburetor modification is made.

CAUTION:

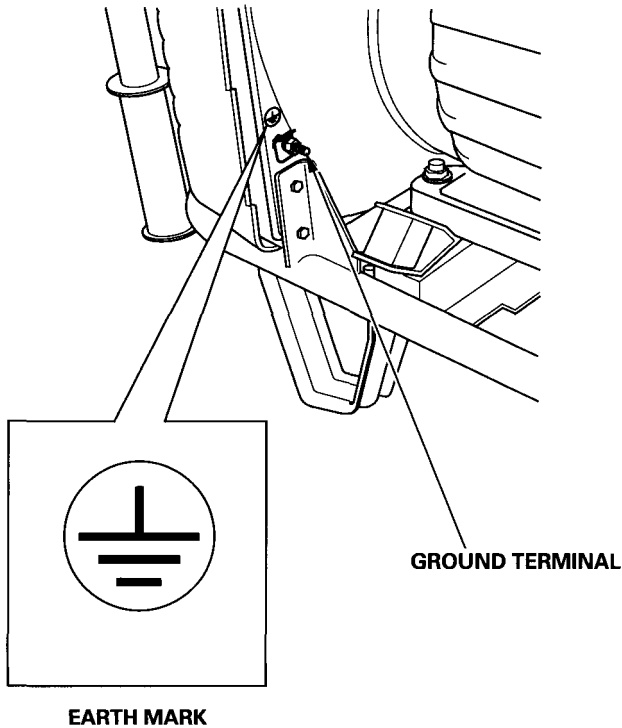
Operation of the generator at an altitude lower than the carburetor is jetted for may result in reduced performance, overheating, and serious engine damage caused by an excessively lean air/fuel mixture.

6. GENERATOR USE

Be sure to ground the generator when the connected equipment is grounded.

▲WARNING

- **Do not connect to a building's electrical system unless an isolation switch has been installed by a qualified electrician.**
- **Connections for standby power to a building's electrical system must be made by a qualified electrician and must comply with all applicable laws and electrical codes. Improper connections can allow electrical current from the generator to back feed into the utility lines. Such back feed may electrocute utility company workers or others who contact the lines during a power outage, and when utility power is restored, the generator may explode, burn, or cause fires in the building's electrical system.**



CAUTION:

- Do not exceed the current limit specified for any one receptacle.
- Do not connect the generator to a household circuit. This could cause the damage to the generator or to electrical appliances in the house.
- Do not modify or use the generator for other purposes than it is intended for. Also observe the following when using the generator.
- Do not connect an extension to the exhaust pipe.
- When an extension cable is required, be sure to use a tough rubber sheathed flexible cable (IEC 245 or equivalent).
- Limit length of extension cables; 60 m (200 feet) for cables of 1.5 mm² (0.0023 in²) and 100 m (330 feet) for cables of 2.5 mm² (0.0039 in²). Long extension cables will lower usable power due to resistance in the extension cable.
- Keep the generator away from other electric cables or wires such as commercial power supply lines.

NOTE:

- Make sure the electrical rating of the tool or appliance does not exceed that of the generator. Never exceed the maximum power rating of the generator. Power levels between rated and maximum may be used for no more than 30 minutes.

Limit operation requiring maximum power to 30 minutes.

Maximum power in parallel operation is:

EM65is : 6,500 VA

EM50is : 5,000 VA

For continuous operation, do not exceed the rated power.

Rated power in parallel operation is:

EM65is : 5,500 VA

EM50is : 4,500 VA

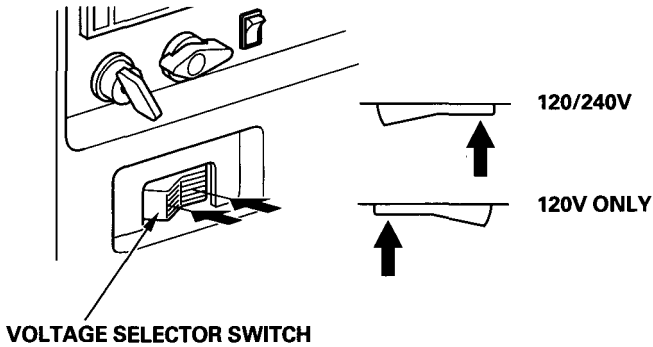
In either case, the total power requirements (VA) of all appliances connected must be considered.

AC Application

1. L type only:

Turn the voltage selector switch to either position.

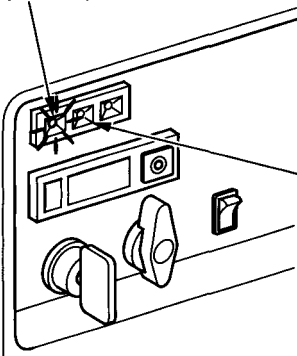
Voltage selector switch position	Used receptacles
120/240V	120V and 120/240V
120V ONLY	120V



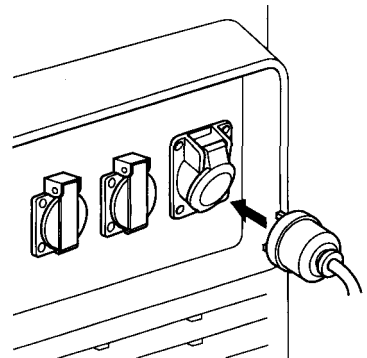
2. Start the engine and make sure the green output indicator comes on.

3. Confirm that the appliance to be used is switched off, and plug in the appliance.

OUTPUT INDICATOR
(GREEN)



OVERLOAD INDICATOR
(RED)



CAUTION:

- **Substantial overloading that continuously lights the Overload indicator (red) may damage the generator. Marginal overloading that temporarily lights the Overload indicator (red) may shorten the service life of the generator.**
- **Be sure that all appliances are in good working order before connecting them to the generator. Electrical equipment (including lines and plug connections) should not be defective. If an appliance begins to operate abnormally, becomes sluggish, or stops suddenly, turn off the generator engine switch immediately. Then disconnect the appliance, and examine it for signs of malfunction.**

AC Receptacle Selection (L Type only)

The generator has separate main power producing circuits. These two circuits supply power to different receptacles shown when the voltage selector switch is in the 120/240 V position.

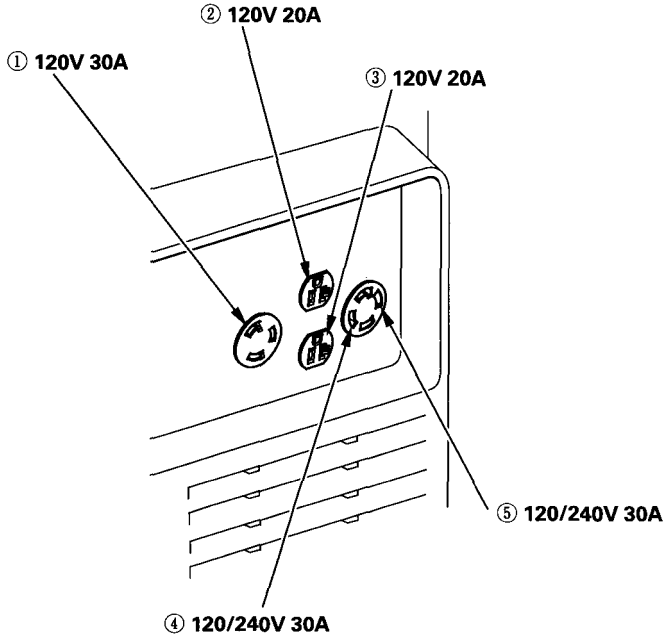
When two or more receptacles are used, prevent overloading by dividing the load between the two power circuits.

The chart below shows the rated load in amperes that can be connected to each receptacle to balance the generator when the 120/240 V locking plug receptacle is used for 120 V.

The total rated ampere draw is:

EM50is: 37.5A/EM65is: 45.8A

Model	Main power circuit	Receptacles powered by each main circuit	Power distribution (rated ampere)
EM50is	Main Circuit I	1, 3 and 4	$1 + 3 + 4 = 18.8A$
	Main Circuit II	2 and 5	$2 + 5 = 18.8A$
EM65is	Main Circuit I	1, 3 and 4	$1 + 3 + 4 = 22.9A$
	Main Circuit II	2 and 5	$2 + 5 = 22.9A$



Output and Overload Indicators

The Output indicator (green) will remain ON during normal operating conditions.

If the generator is overloaded (see page 37), or if there is a short in the connected appliance, the Output indicator (green) will go OFF, the overload indicator (red) will go ON and current to the connected appliance will be shut off.

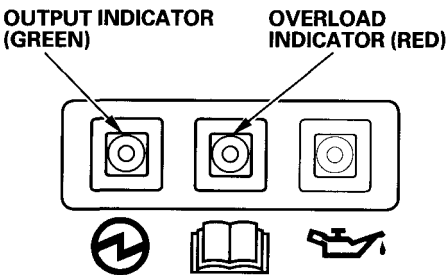
Stop the engine if the Overload indicator (red) comes ON and investigate the overload source.

NOTE:

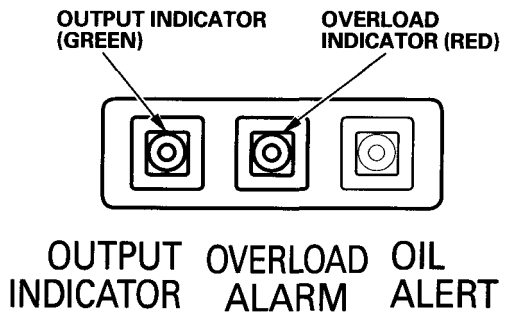
The Overload indicator (red) also lights in the following cases:

- When the inverter is overheated; the current to the connected appliance will be shut off. Check to see if the air intake is obstructed.
- Before connecting an appliance to the generator, check that it is in good order, and that its electrical rating does not exceed that of the generator. Then connect the power cord of the appliance, and start the engine.

F, G, and IT Types



L, R, S, and U Types



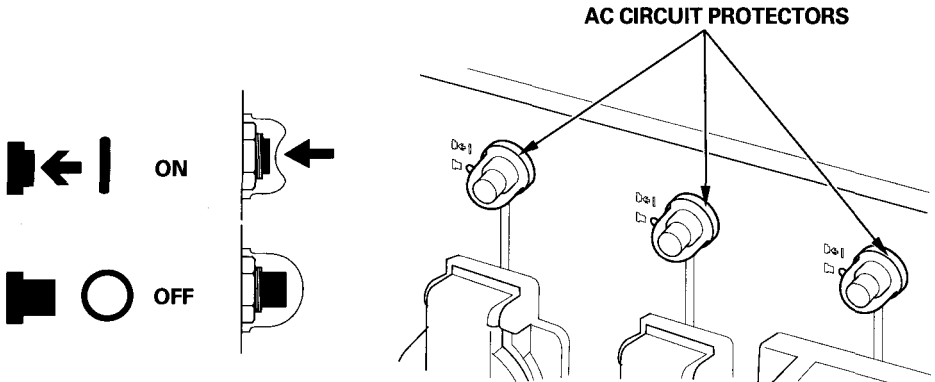
NOTE:

When an electric motor is started, both the Overload indicator (red) and the Output indicator (green) may go on simultaneously. This is normal if the Overload indicator (red) goes off after about five (5) seconds. If the Overload indicator (red) stays on, consult your Honda generator dealer.

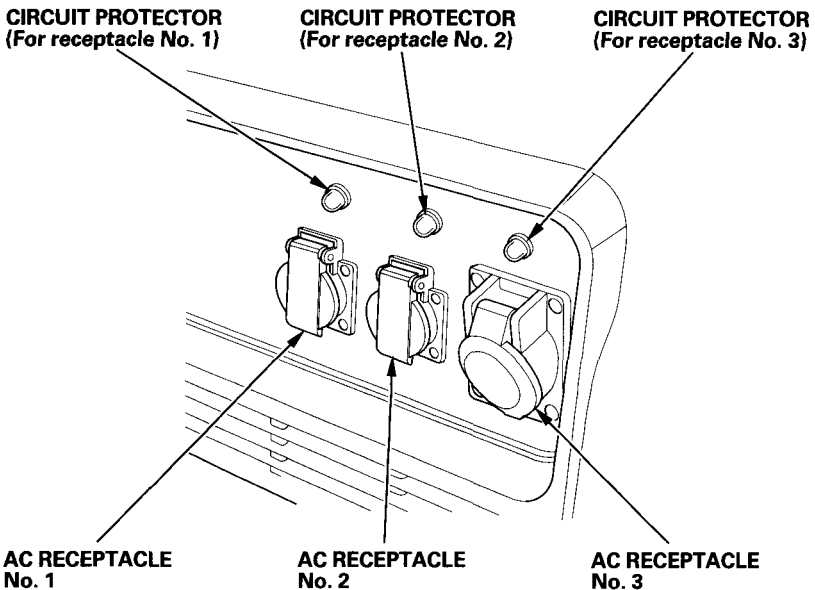
AC Circuit Protectors

The AC circuit protectors will automatically switch OFF (push button comes out) if there is a short circuit or a significant overload of the generator at receptacle.

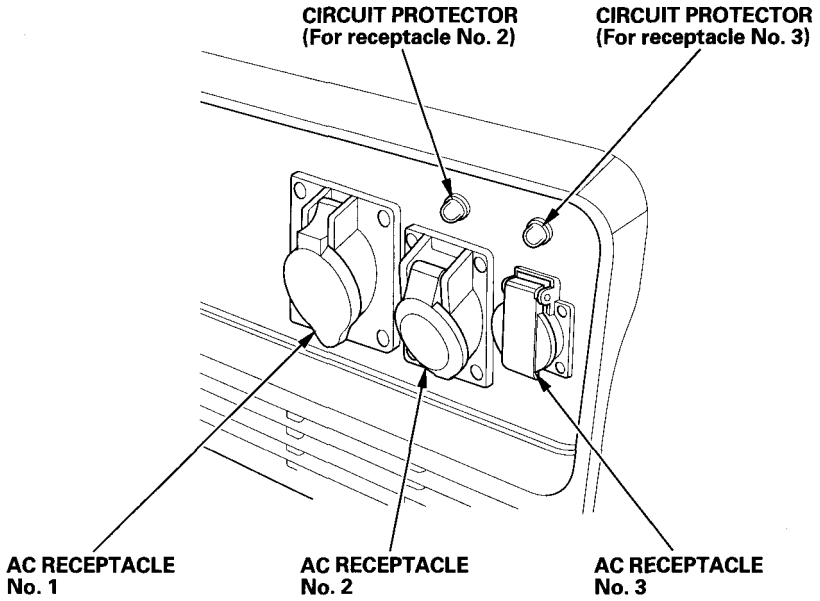
If an AC circuit protector switches OFF automatically, check that the appliance is working properly and does not exceed the rated load capacity of the circuit before resetting the AC circuit protector ON (pushing the push button in).



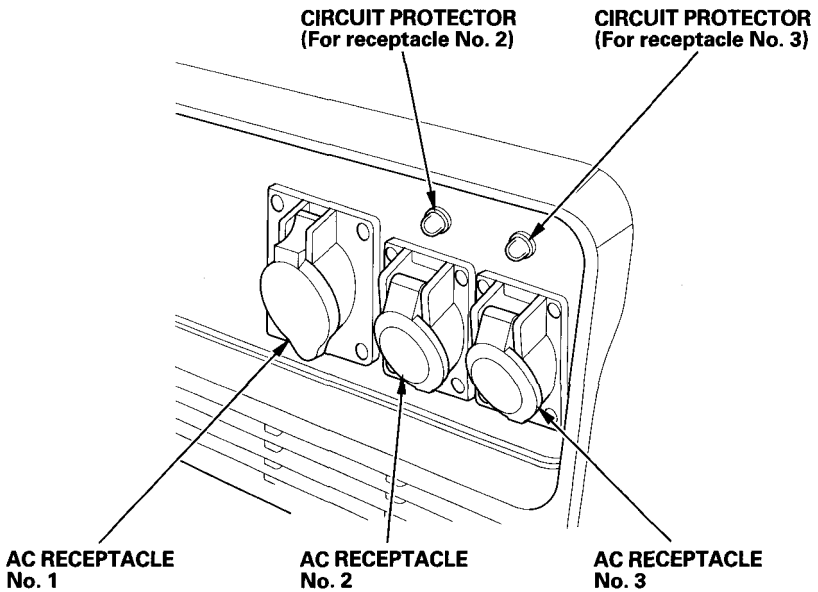
G type



F type



IT type

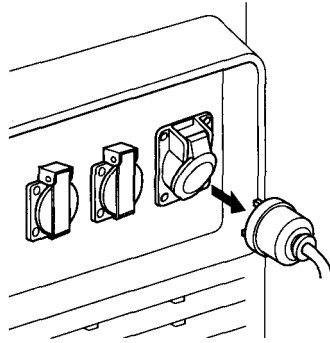


7. STOPPING THE ENGINE

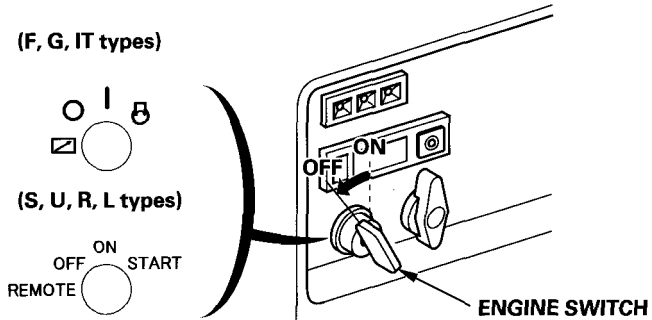
To stop the engine in an emergency, turn the engine switch to the OFF position.

IN NORMAL USE:

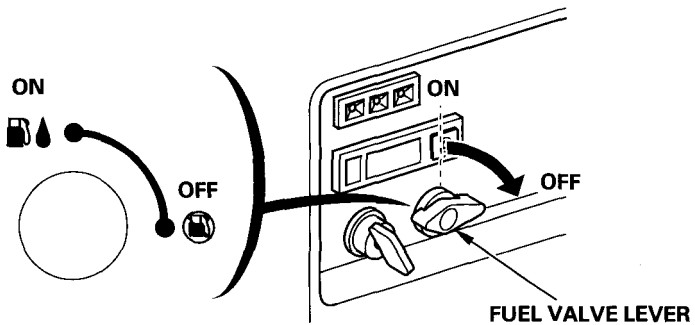
1. Switch off the connected equipment and pull the inserted plug.



2. Turn the engine switch to the OFF position.



3. Turn the fuel valve lever to the OFF position.



8. MAINTENANCE

The purpose of the maintenance and adjustment schedule is to keep the generator in the best operating condition. Inspect or service as scheduled in the table below.

▲WARNING

Make sure the engine is off before you begin any maintenance or repairs. This will eliminate several potential hazards:

- **Carbon monoxide poisoning from engine exhaust. Be sure there is adequate ventilation whenever you operate the engine.**
- **Burns from hot parts. Let the engine and exhaust system cool before touching.**
- **Injury from moving parts. Do not run the engine unless instructed to do so.**

The muffler becomes very hot during operation and remains hot for a while after stopping the engine. Be careful not to touch the muffler while it is hot. Let the engine cool before maintenance.

Maintenance Schedule

REGULAR SERVICE PERIOD (3)		Each use	First month or 20 hrs.	Every 3 months or 50 hrs.	Every 6 months or 100 hrs.	Every year or 300 hrs.
Item	Perform at every indicated month or operating hour interval, whichever comes first.					
Engine oil	Check level	○				
	Change		○		○	
Air cleaner	Check	○				
	Clean			○ (1)		
Sediment cup	Clean				○	
Spark plug	Check-adjust				○	
	Replace					○
Valve Clearance	Check-adjust					○ (2)
Combustion chamber	Clean	After every 500 hrs. (2)				
Fuel tank & filter	Clean				○ (2)	
Fuel tube	Check	Every 2 years (Replace if necessary) (2)				

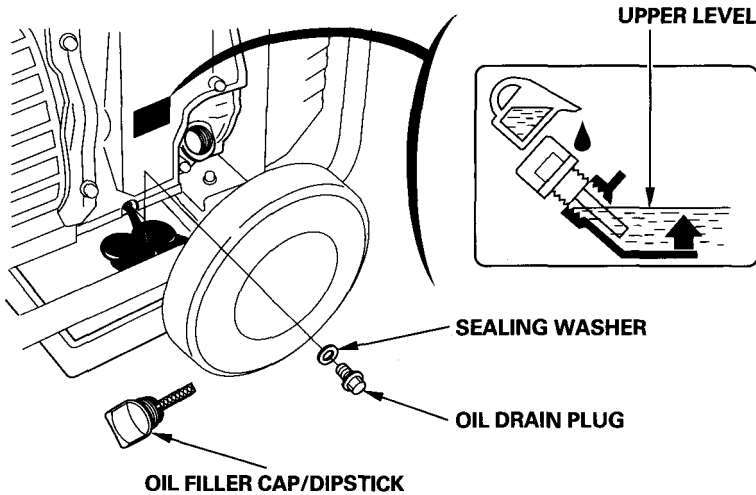
- NOTE:**
- (1) Service more frequently when used in dusty areas.
 - (2) These items should be serviced by your Honda servicing dealer, unless you have the proper tools and are mechanically proficient. Refer to the Honda shop manual for service procedures.
 - (3) For commercial use, log hours of operation to determine proper maintenance intervals.

1. CHANGING OIL

Drain the oil while the engine is still warm to assure rapid and complete draining.

1. Open and remove the oil maintenance cover.
2. Remove the oil filler cap and oil drain plug to drain the oil.
3. Install the oil drain plug, and tighten it securely.
4. Refill with the recommended oil (see page 22) and check the oil level.
5. Reinstall, close and latch the oil maintenance cover.

ENGINE OIL CAPACITY: 1.1 L (1.2 US qt, 1.0 Imp qt)



Wash your hands with soap and water after handling used oil.

NOTE:

Please dispose of used motor oil in a manner that is compatible with the environment. We suggest you take it in a sealed container to your local service station for reclamation. Do not throw it in the trash or pour it on the ground.

2. AIR CLEANER SERVICE

A dirty air cleaner will restrict air flow to the carburetor. To prevent carburetor malfunction, service the air cleaner regularly. Service more frequently when operating the generator in extremely dusty areas.

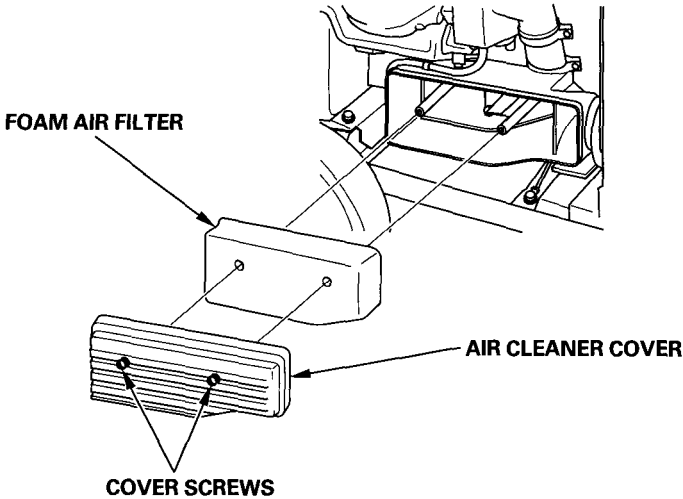
▲ WARNING

Do not use gasoline or low flash point solvents for cleaning. They are flammable and explosive under certain conditions.

CAUTION:

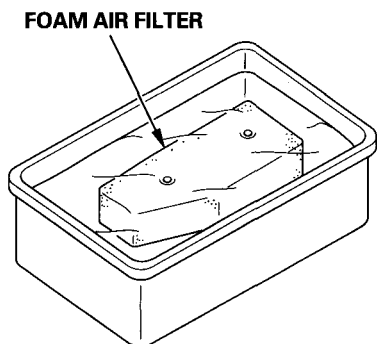
Never run the generator without the air cleaner. Rapid engine wear may result.

1. Loosen the cover screws and remove the air cleaner cover.

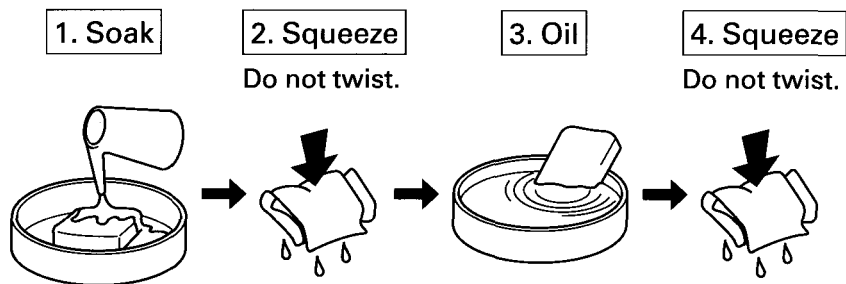


2. Remove the foam air filter.

3. Clean the foam air filter in warm soapy water, rinse, and allow to dry thoroughly, or clean in non-flammable solvent and allow to dry.



4. Dip the foam air filter in clean engine oil, and then squeeze out all excess oil. The engine will smoke when started if too much oil is left in the filter.



5. Wipe dirt from the air cleaner housing and cover using a moist rag. Be careful to prevent dirt from entering the air duct that leads to the carburetor.

6. Reinstall the foam air filter.

7. Reinstall the air cleaner cover and tighten the cover screw securely.

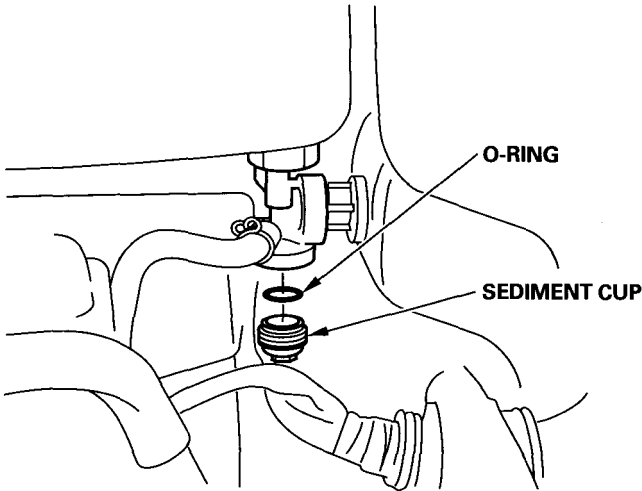
3. FUEL SEDIMENT CUP SERVICE

▲WARNING

Gasoline is extremely flammable and is explosive under certain conditions. Do not smoke or allow flames or sparks in the area.

You can be burned or seriously injured when handling fuel. Stop the engine and keep heat, sparks, and flame away. Handle fuel only outdoors. Wipe up spills immediately.

1. Turn the engine switch to the OFF position.
2. Turn the fuel valve lever to the OFF position.
3. Remove the sediment cup by turning it counterclockwise.
4. Wash the sediment cup in non-flammable solvent, and dry it thoroughly.
5. Reinstall a new O-ring and sediment cup.

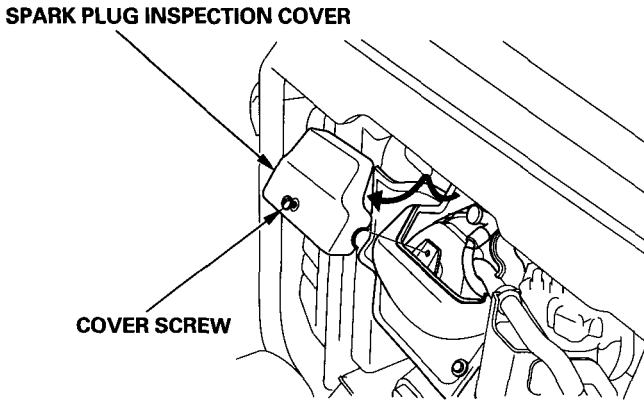


4. SPARK PLUG SERVICE

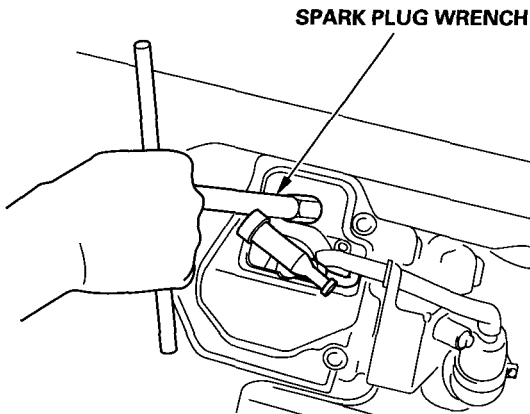
RECOMMENDED SPARK PLUG: BPR5ES (NGK)
W16EPR-U (DENSO)

To ensure proper engine operation, the spark plug must be properly gapped and free of deposits.

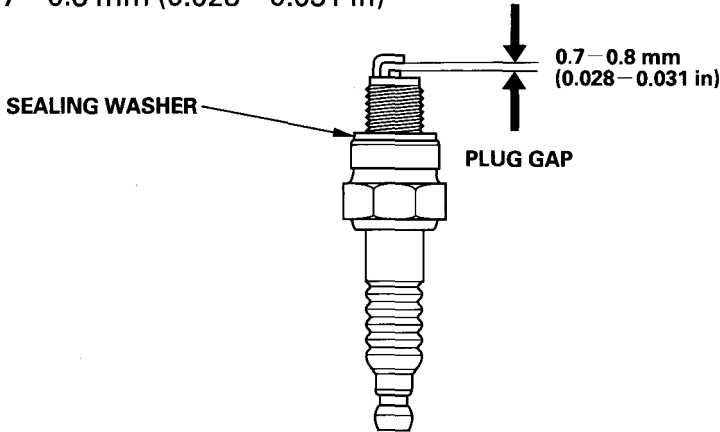
1. Loosen the cover screw and remove the spark plug inspection cover.



2. Disconnect the spark plug cap, and remove any dirt from around the spark plug area.
3. Remove the spark plug with a spark plug wrench.



-
4. Visually inspect the spark plug. Replace it if damaged or badly fouled, if the sealing washer is in poor condition, or if the electrode is worn. Clean the spark plug with a wire brush if it is to be reused.
 5. Measure the plug gap with a feeler gauge. Correct as necessary by carefully bending the side electrode. The gap should be:
0.7–0.8 mm (0.028–0.031 in)



6. Install the spark plug carefully, by hand, to avoid cross-threading.
7. After a new spark plug has been seated by hand, it should be tightened 1/2 turn with a wrench to compress its sealing washer. If a used plug is being reinstalled, it should only require 1/8 to 1/4 turn after being seated.

CAUTION:

- The spark plug must be securely tightened. An improperly tightened plug can become very hot and possibly damage the generator.
- Never use a spark plug with an improper heat range.

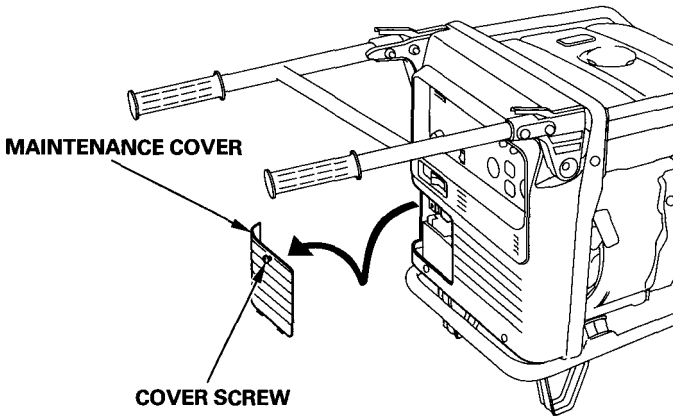
8. Reinstall the spark plug inspection cover and tighten the cover screw.

6. FUSE REPLACEMENT

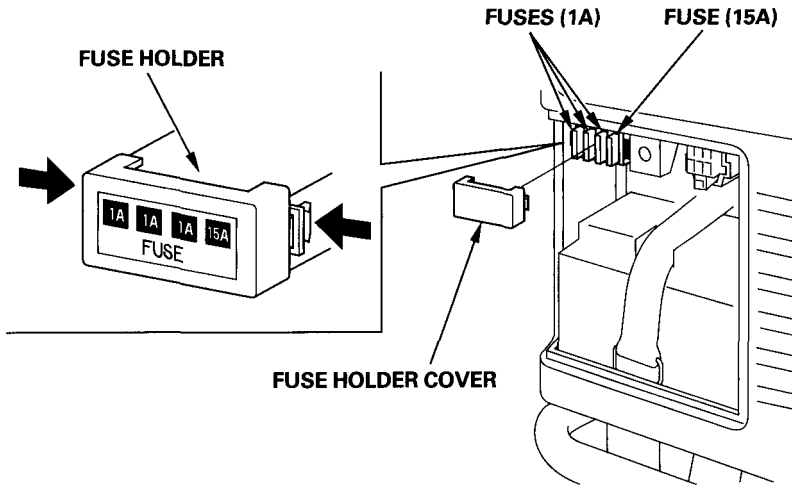
If the fuse is blown, the starter motor won't operate.

In the event of fuse failure, locate the cause of failure and repair it before you continue operation. If the fuse continues to fail, discontinue generator use and consult an authorized Honda generator dealer.

1. Turn the engine switch to the OFF position and remove the key before checking or replacing the fuse.
2. Lift handle upward. Lock levers will lock and secure handle into place.
3. Loosen the cover screw and remove the maintenance cover.



-
- Remove the fuse holder cover and pull the fuse out.
 - Replace the fuse with a fuse of the same type and rating.
Specified fuse: 1A, 15A



CAUTION:

- If frequent fuse failure occurs, determine the cause and correct the problem before attempting to operate the generator further.
 - Never use a fuse with a different rating from that specified. Serious damage to the electrical system or fire may result.
- Install the fuse holder cover and the battery maintenance cover in the reverse order of removal.

Never operate the generator without the battery maintenance cover in place, as poor engine and generator performance will result.

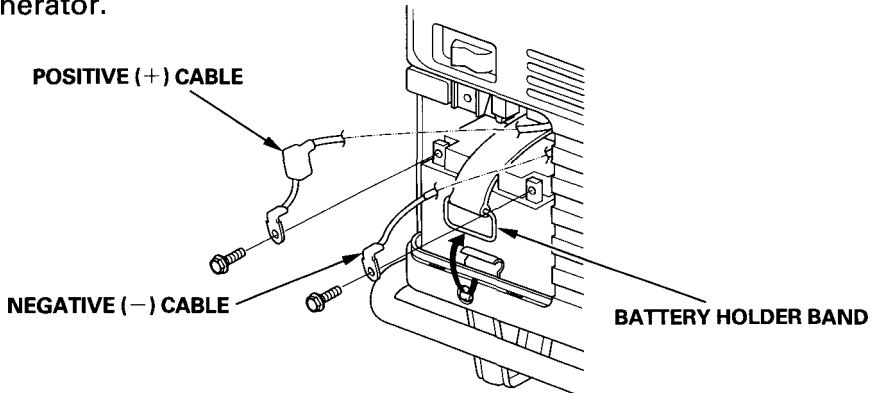
7. BATTERY REMOVAL/INSTALLATION

▲WARNING

- **Batteries produce explosive gases:** If ignited, and explosion can cause serious injury or blindness. Provide adequate ventilation when charging.
- **CHEMICAL HAZARD:** Battery electrolyte contains sulfuric acid. Contact with eyes or skin, even through clothing, may cause severe burns. Wear a face shield and protective clothing.
- **Keep flames and sparks away, and do not smoke in the area.**
ANTIDOTE: If electrolyte gets into your eyes, flush thoroughly with warm water for at least 15 minutes and call a physician immediately.
- **POISON:** Electrolyte is poison.
ANTIDOTE
 - **External:** Flush thoroughly with water.
 - **Internal:** Drink large quantities of water or milk.
Follow with milk of magnesia or vegetable oil, and call a physician immediately.
- **KEEP OUT OF REACH OF CHILDREN.**

Removal:

1. Turn the engine switch to the OFF position.
2. Lift handle upward. Lock levers will lock and secure the handle into place.
3. Loosen the cover screw and remove the battery maintenance cover.
4. Remove the negative (–) cable from the battery negative (–) terminal, and then remove the positive (+) cable from the battery positive (+) terminal.
5. Unhook the battery holder band from the bottom hook of the generator.



6. Remove the battery from the battery tray.

Installation:

1. Make sure that the engine switch is turned OFF.
 2. Connect the battery positive (+) cable to the battery positive (+) terminal, then the battery negative (–) cable to the battery negative (–) terminal. Tighten the bolts and nuts securely.
 3. Install the battery holder band.
 4. *Install the battery maintenance cover, and tighten the cover screw.*
- Never operate the generator without the battery maintenance cover in place, as poor engine and generator performance will result.

CAUTION:

When disconnecting the battery cable, be sure to disconnect at the battery negative (–) terminal first. To connect, connect at the positive (+) terminal first, then at the negative (–) terminal. Never disconnect the battery cable in the reverse order, or it causes a short circuit when a tool contacts the terminals.

Charging:

The battery is rated at 11.2 Ah (ampere hours). Charging current should equal 10% of the battery's ampere hour rating. A battery charger should be used that can be adjusted to deliver 1.1 amps.

▲WARNING

The battery gives off explosive gasses; keep sparks, flames and cigarettes away from the battery while charging. Provide adequate ventilation when charging.

- **The battery contains sulfuric acid (electrolyte). Contact with skin or eyes may cause severe burns. Wear protective clothing and a face shield.**
 - If electrolyte gets on your skin, flush with water.
 - If electrolyte gets in your eyes, flush with water for at least 15 minutes and call a physician immediately.
- **Electrolyte is poisonous.**
 - If swallowed, drink large quantities of water or milk and follow with milk of magnesia or vegetable oil and call a physician.

1. Connect the battery charger following the manufacturer's instructions.
2. Charge the battery.
3. Clean the outside of the battery and the battery tray compartment with a solution of baking soda and water.



This symbol on the battery means that this product must not be treated as household waste.

NOTE:

An improperly disposed of battery can be harmful to the environment and human health.

Always confirm local regulations for battery disposal.

9. TRANSPORTING/STORAGE

To prevent fuel spillage when transporting or during temporary storage, the generator should be secured upright in its normal operating position, with the engine switch OFF.

The fuel valve lever should be turned OFF.

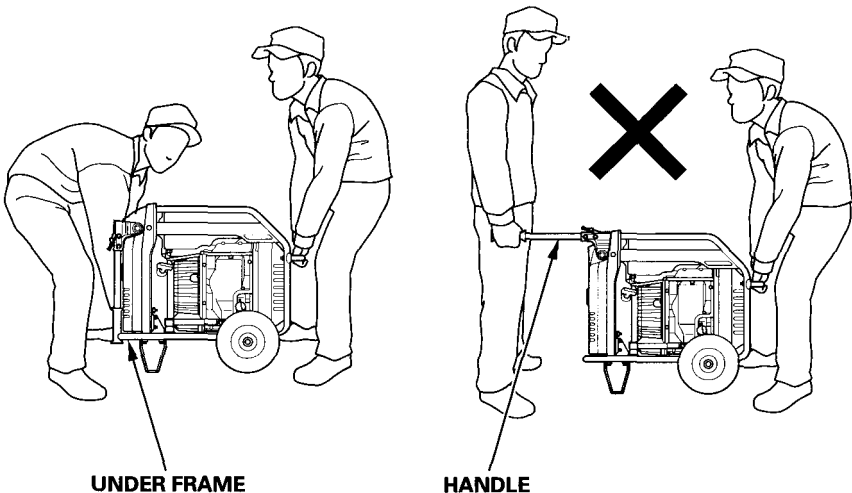
▲WARNING

When transporting the generator:

- Do not overfill the tank.
- Do not operate the generator while it is on a vehicle. Take the generator off the vehicle and use it in a well ventilated place.
- Avoid a place exposed to direct sunlight when putting the generator on a vehicle. If the generator is left in an enclosed vehicle for many hours, high temperature inside the vehicle could cause fuel to vaporize resulting in a possible explosion.
- Do not drive on a rough road for an extended period with the generator on board. If you must transport the generator on a rough road, drain the fuel from the generator beforehand.

CAUTION:

When you are to lift up your generator with your assistant by hands, take care not to lift it up by holding the handle of the generator. Be sure to lift up the generator by holding the under frame as shown.



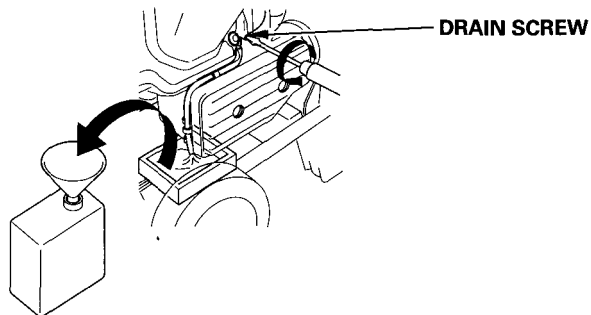
Before storing the unit for an extended period:

1. Be sure the storage area is free of excessive humidity and dust.
2. Drain the fuel.

▲WARNING

Gasoline is extremely flammable and is explosive under certain conditions. Perform this task in a well ventilated area with the engine stopped. Do not smoke or allow flames or sparks in the area during this procedure.

- a. Place a suitable gasoline container below the carburetor drain hose.
- b. Turn the fuel valve lever to the ON position. Loosen the carburetor drain screw and drain the gasoline from the fuel tank and carburetor.



- c. After all the fuel has drained into the container, tighten the carburetor drain screw securely and turn the fuel valve to the OFF position.
 - d. Remove the sediment cup, and empty it and reinstall.
3. Change the engine oil (see page 46).
 4. Remove the spark plug and pour about a tablespoon of clean engine oil into the cylinder. Crank the engine several revolutions to distribute the oil, then reinstall the spark plug.
 5. Slowly pull the starter grip until resistance is felt. At this point, the piston is coming up on its compression stroke and both the intake and exhaust valves are closed. Storing the engine in this position will help to protect it from internal corrosion.

6. Remove the maintenance cover and disconnect the battery negative (—) terminal (see page 54). Cover the battery cable negative terminal with vinyl tape.

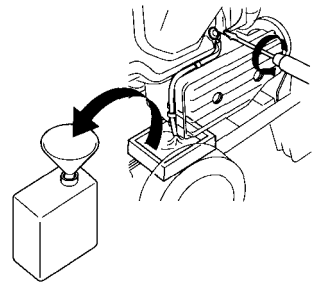
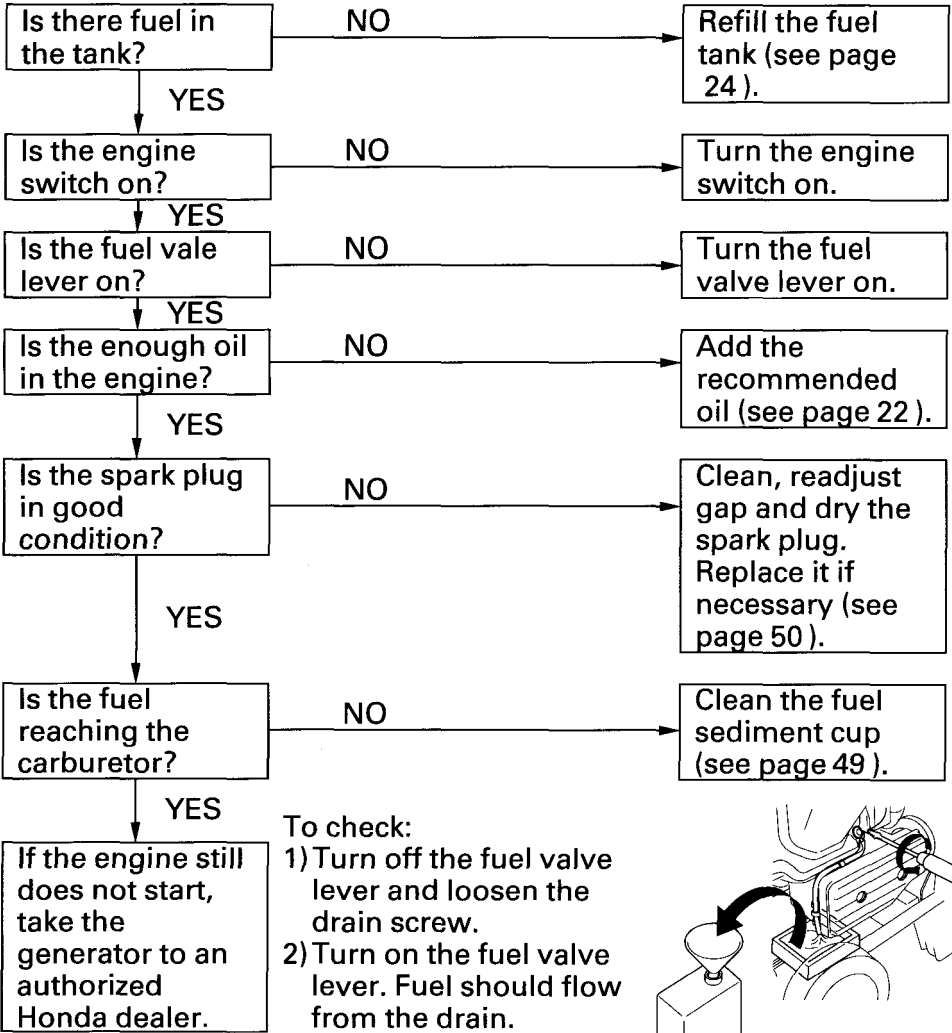
Once a month, recharge the battery (see page 55).

7. Reinstall the maintenance cover.

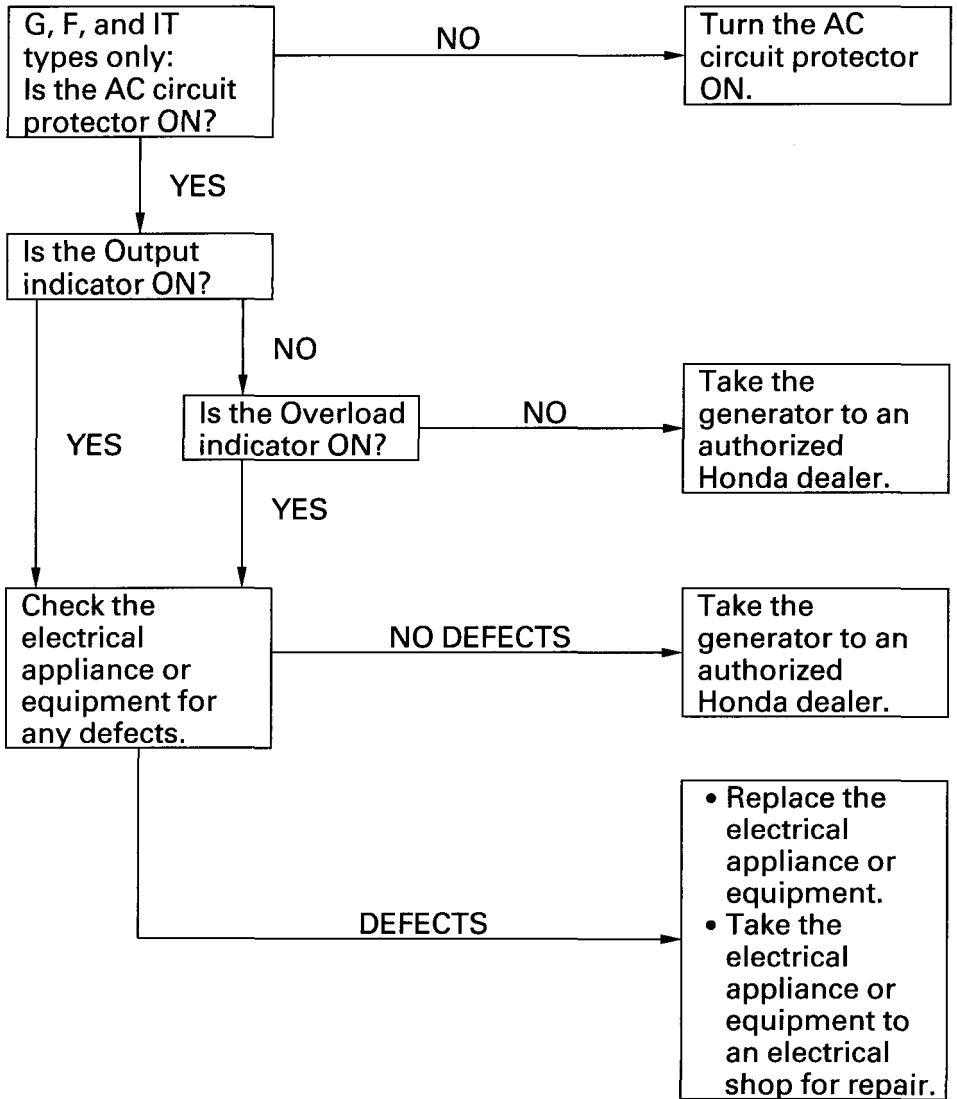
8. Store the generator in clean area.

10. TROUBLESHOOTING

When the engine will not start:



Appliance does not operate:



11. SPECIFICATIONS

Dimensions and Weight

Model	EM50is
Description code	EAJJ
Length [extended handle]	810 mm (31.9 in) [1,155 mm (45.5 in)]
Width	672 mm (26.5 in)
Height [extended handle]	692 mm (27.2 in) [709 mm (27.9 in)]
Dry mass < weight >	98.9 kg (218.0 lbs)

Engine

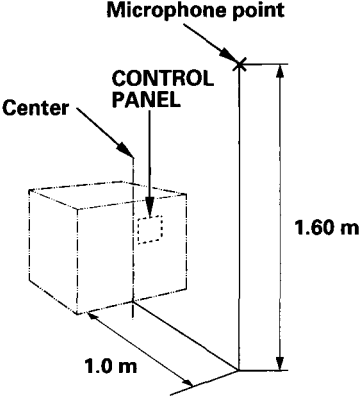
Model	GX340K1
Engine type	4-stroke, overhead valve, single cylinder
Displacement	337 cm ³ (20.6 cu-in)
Bore × Stroke	82.0 × 64.0 mm (3.22 in × 2.52 in)
Compression ratio	8.0:1
Engine speed (Eco Throttle ON)	2,400 – 3,600 rpm
Cooling system	Forced air
Ignition system	Full transistor
Oil capacity	1.1 L (1.2 US qt, 1.0 Imp qt)
Fuel tank capacity	16.5 L (4.36 US gal, 3.63 Imp gal)
Spark plug	BPR5ES (NGK) W16EPR-U (DENSO)
Battery	12 V 11.2 AH/10 HR

Generator

Model		EM50is
Type		F, G, IT
AC output	Rated Voltage (V)	230
	Rated Frequency (Hz)	50
	Rated Ampere (A)	19.6
	Rated Output (kVA)	4.5
	Max Output (kVA)	5.0

Model		EM50is			
Type		S	R	U	L
AC output	Rated Voltage (V)	220		240	120/240
	Rated Frequency (Hz)	60	50	50	60
	Rated Ampere (A)	20.5		18.8	37.5/18.8
	Rated Output (kVA)	4.5			
	Max Output (kVA)	5.0			

Noise

Model	EM50is	
Type	F, G, IT	S, L, U, R
Sound pressure level (L _{pA}) According to 98/37/EC 	81 dB	—
Guaranteed sound power level (L _{WA}) Tested by 2000/14/EC at Eco Throttle Switch turn on	96 dB	—

“the figures quoted are emission levels and are not necessarily safe working levels. Whilst there is a correlation between the emission and exposure levels, this cannot be used reliably to determine whether or not further precautions are required. Factors that influence the actual level of exposure of work-force include the characteristics of the work room, the other sources of noise, etc. i.e. the number of machines and other adjacent processes, and the length of time for which an operator is exposed to the noise. Also the permissible exposure level can vary from country. This information, however, will enable the user of the machine to make a better evaluation of the hazard and risk”.

NOTE:

Specifications are subject to change without notice.

Dimensions and Weight

Model	EM65is
Description code	EAHJ
Length [extended handle]	810 mm (31.9 in) [1,155 mm (45.5 in)]
Width	672 mm (26.5 in)
Height [extended handle]	692 mm (27.2 in) [709 mm (27.9 in)]
Dry mass < weight >	98.9 kg (218.0 lbs)

Engine

Model	GX390K1
Engine type	4-stroke, overhead valve, single cylinder
Displacement	389.2 cm ³ (23.74 cu-in)
Bore × Stroke	88.0 × 64.0 mm (3.46 in × 2.52 in)
Compression ratio	8.0:1
Engine speed (Eco Throttle ON)	2,400 – 3,600 rpm
Cooling system	Forced air
Ignition system	Full transistor
Oil capacity	1.1 L (1.2 US qt, 1.0 Imp qt)
Fuel tank capacity	16.5 L (4.36 US gal, 3.63 Imp gal)
Spark plug	BPR5ES (NGK) W16EPR-U (DENSO)
Battery	12 V 11.2 AH/10 HR

Generator

Model	EM65is
Type	F, G, IT
AC output	
Rated Voltage (V)	230
Rated Frequency (Hz)	50
Rated Ampere (A)	23.9
Rated Output (kVA)	5.5
Max Output (kVA)	6.5

Model	EM65is			
Type	S	R	U	L
AC output				
Rated Voltage (V)	220		240	120/240
Rated Frequency (Hz)	60	50	50	60
Rated Ampere (A)	25.0		22.9	45.8/22.9
Rated Output (kVA)	5.5			
Max Output (kVA)	6.5			

Noise

Model	EM65is	
	F, G, IT	S, L, U, R
Type Sound pressure level (LpA) According to 98/37/EC	82 dB	_____
<p>Microphone point</p> <p>CONTROL PANEL</p> <p>Center</p> <p>1.60 m</p> <p>1.0 m</p>		
Guaranteed sound power level (LWA) Tested by 2000/14/EC at Eco Throttle Switch turn on	97 dB	_____

“the figures quoted are emission levels and are not necessarily safe working levels. Whilst there is a correlation between the emission and exposure levels, this cannot be used reliably to determine whether or not further precautions are required. Factors that influence the actual level of exposure of work-force include the characteristics of the work room, the other sources of noise, etc. i.e. the number of machines and other adjacent processes, and the length of time for which an operator is exposed to the noise. Also the permissible exposure level can vary from country. This information, however, will enable the user of the machine to make a better evaluation of the hazard and risk”.

NOTE:

Specifications are subject to change without notice.

12. INSTALLATION OF KIT PARTS

SAFETY

The Importance of Proper Assembly

Proper assembly is essential to operator safety and the reliability of the machine. Any error or oversight made by the person assembling and servicing a unit can easily result in faulty operation, damage to the machine, or injury to the operator.

▲WARNING

Improper assembly can cause an unsafe condition that can lead to serious injury or death.

Follow the procedures and precautions in the assembly instructions carefully.

Some of the most important safety precautions are given below. However, we cannot warn you of every conceivable hazard that can arise in performing this assembly. Only you can decide whether or not you should perform a given task.

▲WARNING

Failure to properly follow instructions and precautions can cause you to be seriously hurt or killed.

Follow the procedures and precautions in this manual carefully.

Important Safety Precautions

- Make sure you have a clear understanding of all basic shop safety practices and that you are wearing appropriate clothing and safety equipment. When performing this assembly, be especially careful of the following:
 - Read the instructions before you begin, and be sure you have the tools and skills required to perform the tasks safely.
- Make sure the engine is off before you begin any maintenance or repairs. This will help eliminate several potential hazards:
 - Carbon monoxide poisoning from engine exhaust.**
Operate outside away from open windows or doors.
 - Burns from hot parts.**
Let the engine and exhaust system cool before touching.
 - Injury from moving parts.**
Do not run the engine unless the instruction tells you to do so. Even then, keep your hands, fingers, and clothing away. Do not run the engine when any protective guard or shield is removed.
- To reduce the possibility of a fire or explosion, be careful when working around gasoline or batteries. Use only a nonflammable solvent, not gasoline, to clean parts. Keep all cigarettes, sparks, and flames away from all fuel related parts.

STANDARD KIT PARTS

Wheel Kit Installation

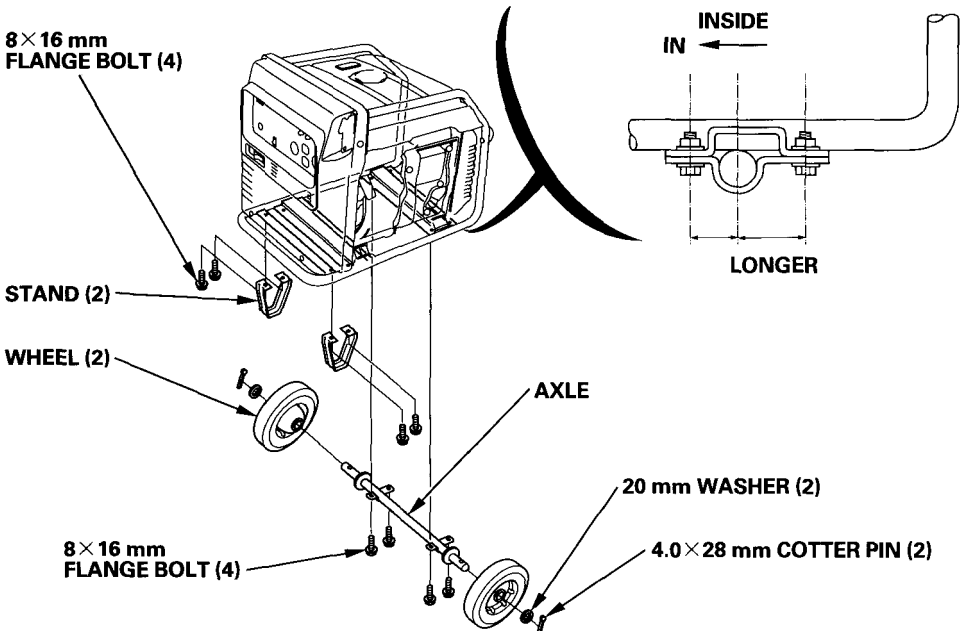
Do not operate the generator without the wheel kit installed. The wheel kit provides an air space between the ground and the generator air intake.

NOTE:

If the wheel kit is not installed, it may be possible for dirt and debris to be drawn into the generator air intake, possibly causing generator damage. Always operate the generator with the wheel kit installed.

1. Install the two wheels on the axle shaft using the washers and cotter pins.
2. Install the axle assembly on the generator using four 8 × 16 mm flange bolts.
3. Install the two stands on the under frame using four 8 × 16 mm flange bolts.

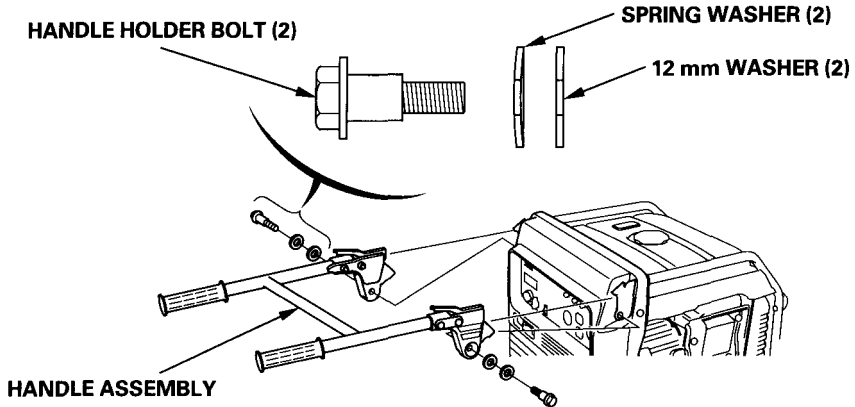
TORQUE: 24–29 N·m (2.4–3.0 kgf·m , 17–22 lbf·ft)



Handle Installation

Install the handle assembly on the generator upper frame using the 12 mm washers, spring washers and handle holder bolts.

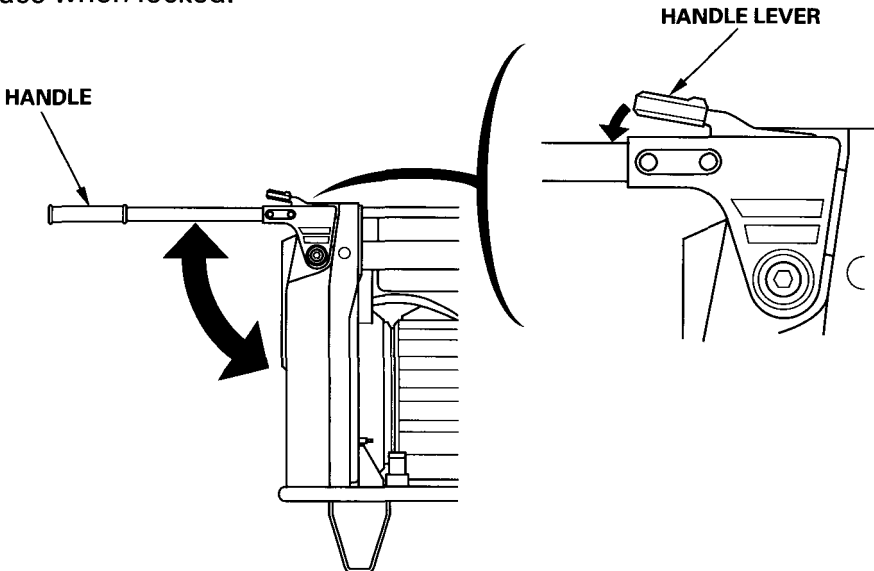
TORQUE: 24–29 N·m (2.4–3.0 kgf·m , 17–22 lbf·ft)



Operation must be checked after attaching a handle.

To extend handle:

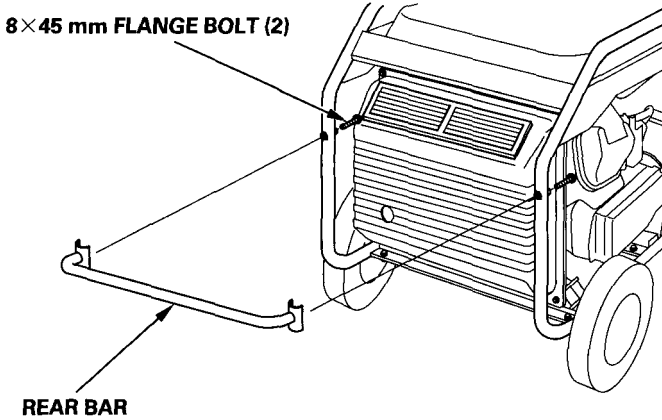
Raise the handle to the horizontal position. The handle will click into place when locked.



Rear Bar Installation

Install the rear bar on the generator frame using the two 8 × 45 mm flange bolts.

TORQUE: 24–29 N·m (2.4–3.0 kgf·m , 17–22 lbf·ft)



Battery

The battery is either standard parts or optional parts for this generator.

Battery Part Number: 31500-MCR-D02

1. Remove the maintenance cover (see page 52).
2. 《Standard parts type》

The battery is disconnected and strapped into the battery tray for shipment. Remove the battery strap from the bottom hook, and then remove the battery. Remove the red cable and the black cable from the twist clip, and set the battery.

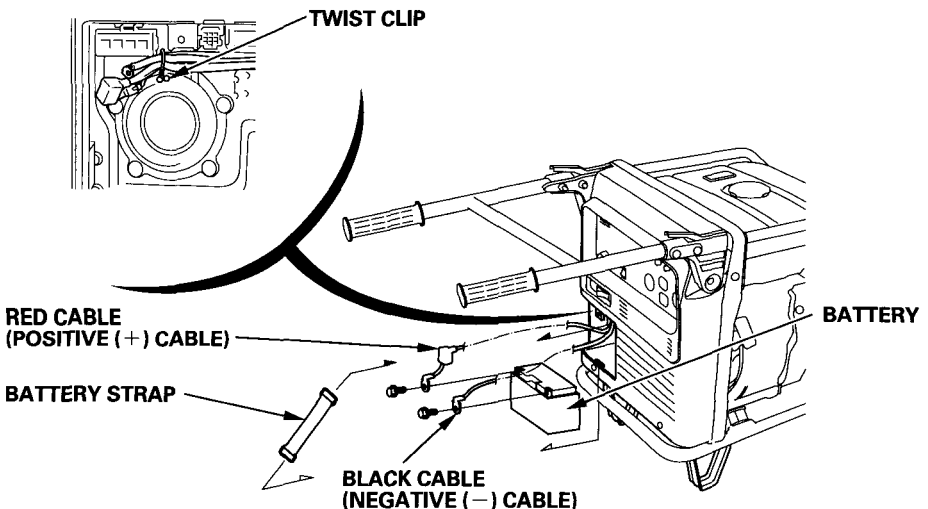
《Optional parts type》

Remove the battery strap from the bottom hook.

Remove the red cable and the black cable from the twist clip, and set the battery.

3. Remove the protective cover from the battery positive (+) terminal, connect the red cable to the battery positive (+) terminal.
4. Connect the black cable to the battery negative (-) terminal.
5. To secure the battery, hook other clasp of the battery strap onto the bottom hook of the generator.
6. Install the maintenance cover in the reverse order of removal.

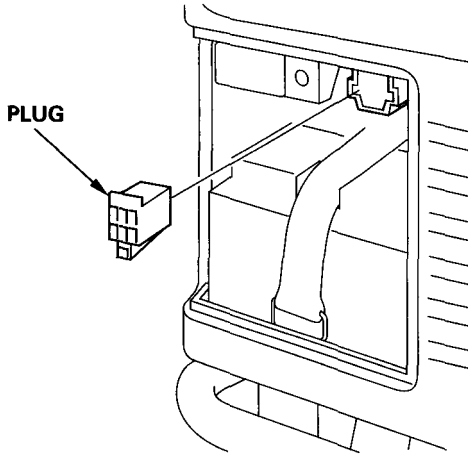
Never operate the generator without the maintenance cover in place, as poor engine and generator performance will result.



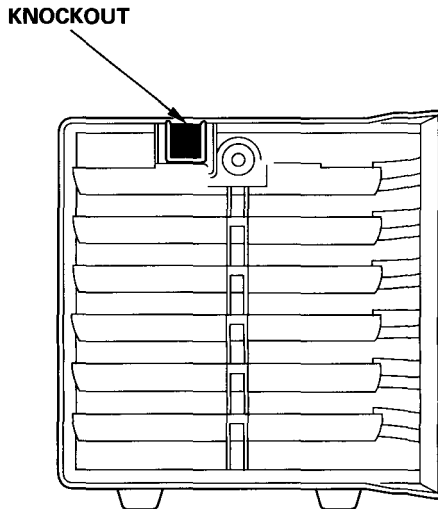
OPTIONAL KIT PARTS

Remote Control Kit

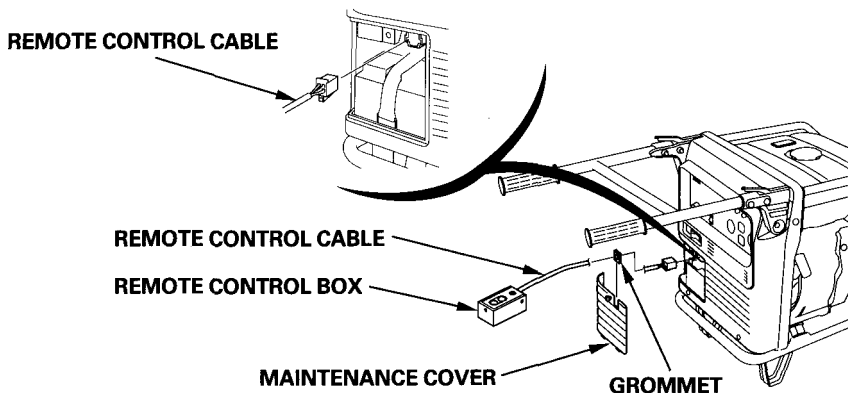
1. Remove the maintenance cover (see page 52).
2. Remove the plug from the 6-pin connector.



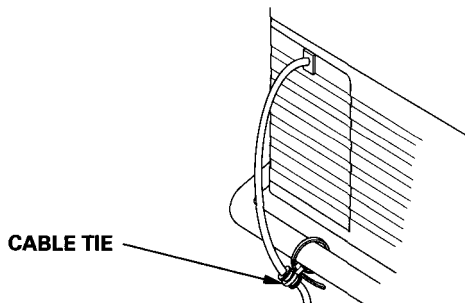
3. View the back of the maintenance cover and locate the knockout near the top center of the cover. Carefully remove the knockout.



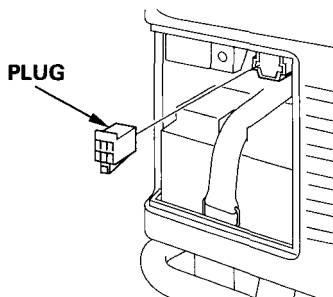
4. Pass the remote control cable through the supplied wire grommet and fit the grommet into the maintenance cover knockout.
5. Plug the remote control cable into the 6-pin connector.
6. Install the maintenance cover and tighten the cover screw.



7. To avoid accidentally unplugging the remote control cable, secure the cable to the generator frame with a cable tie as shown.



- Never operate the generator without the battery maintenance cover in place, as poor engine and generator performance will result.
- When the remote control is not being used, replace the plug on the connector.



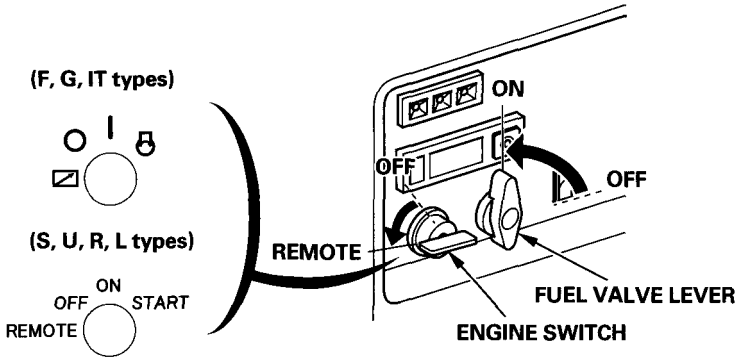
Starting the engine with remote control:

1. B, L types only:

Determine the voltage requirements and adjust the voltage selector switch, as needed.

2. Turn the fuel valve lever to the ON position.

3. Turn the engine switch to the REMOTE (far left) position.



4. Press and hold the start button until the engine pilot lamp illuminates. The start button will automatically be disabled after the engine starts.

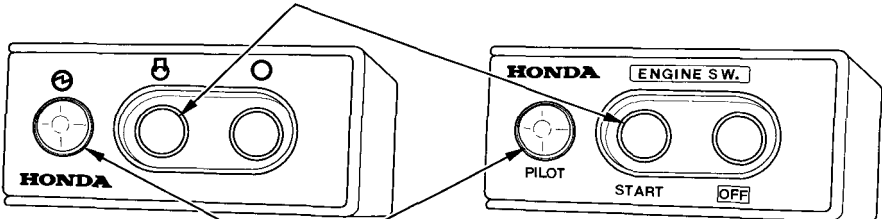
CAUTION:

Do not use the starter motor for more than 5 seconds. If the engine fails to start, release the key, and wait at least 10 seconds before operating the starter motor again.

(B, F, G, IT types)

START BUTTON

(S, U, R, L types)



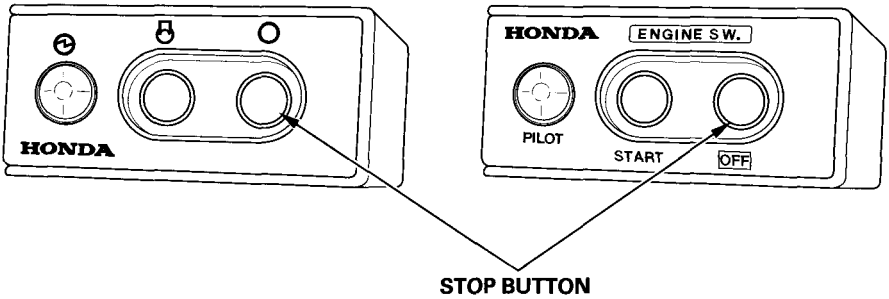
PILOT LAMP

Stopping the engine with remote control:

1. Press the stop button.

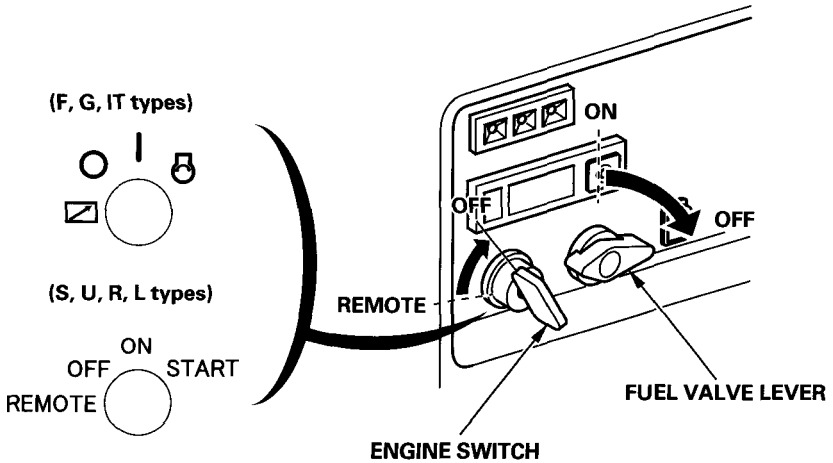
(F, G, IT types)

(S, U, R, L types)



2. Turn the engine switch to the OFF position.

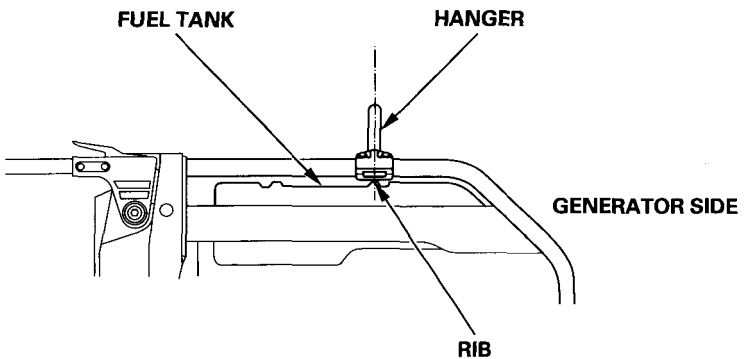
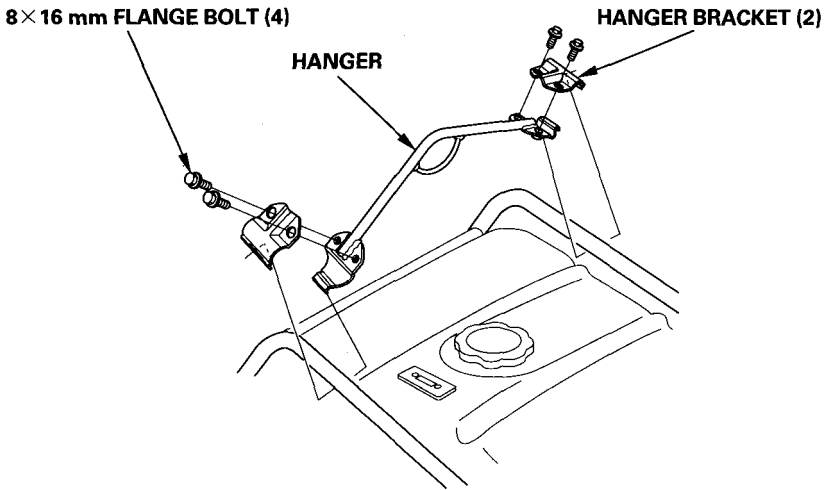
3. Turn the fuel valve lever to the OFF position.



Hanger Kit Installation

1. Position the hanger at the generator's balance point as shown below.
2. Fit the end tabs of the hanger through the bracket slots, and bolt the brackets to the hanger and tighten securely.

TORQUE: 24 – 29 N·m (2.4 – 3.0 kgf·m , 17 – 22 lbf·ft)



13. MAJOR Honda DISTRIBUTOR ADDRESSES

AUSTRALIA

**Honda Australia Motorcycle
and Power Equipment Pty. Ltd**

1954-1956 Hume Highway

Campbellfield Victoria 3061

Tel. : (03) 9270 1111

Fax : (03) 9270 1133

14. WIRING DIAGRAM

INDEX

(See inside of back cover)

F, G, and IT Types	W-1
L Type	W-2
R, S, and U Types.....	W-3

ABBREVIATIONS





Symbol	Part name	Symbol	Part name
ACCP	Ac Circuit Protector	PL	Output Indicator
ACOR	AC Output Receptacle	RCB	Remote Control Block
BAT	Battery	RcBX	Remote Control Box
CCM	Choke Control Motor	RTM	Red Tape Mark
CPB	Control Panel Block	(R)	R Type
D	Diode	SP	Spark Plug
EcoSw	Eco Throttle Switch	SSw	Stop Button
EgB	Engine Block	StM	Starter Motor
ESw	Engine Switch	StSw	Start Button
ETS	Engine Temperature Sensor	SW	Slave Winding
FrB	Frame Block	(S)	S Type
FuB	Fuse Box	TCM	Throttle Control Motor
(F)	F Type	(U)	U Type
Ge	Generator	VSSw	Voltage Selector Switch
GeB	Generator Block	WTM	White Tape Mark
GCU	Generator Control Unit		
GT	Ground Terminal		
(G)	G, GW Types		
IgC	Ignition Coil		
IgPG	Ignition Pulse Generator	BI	BLACK
IU	Inverter Unit	Y	YELLOW
IUB	Inverter Unit Block	Bu	BLUE
(IT)	IT Type	G	GREEN
MW	Master Winding	R	RED
OAL	Oil Alert Indicator	W	WHITE
OI	Overload Indicator	Br	BROWN
OLSw	Oil Level Switch	O	ORANGE
OP	Optional	Lb	LIGHT BLUE
		Lg	LIGHT GREEN
		P	PINK
		Gr	GRAY

WIRE COLOR CODE





BI	BLACK
Y	YELLOW
Bu	BLUE
G	GREEN
R	RED
W	WHITE
Br	BROWN
O	ORANGE
Lb	LIGHT BLUE
Lg	LIGHT GREEN
P	PINK
Gr	GRAY

SWITCH CONNECTIONS

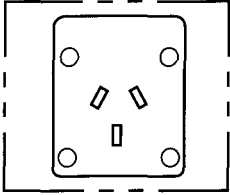
ENGINE SWITCH

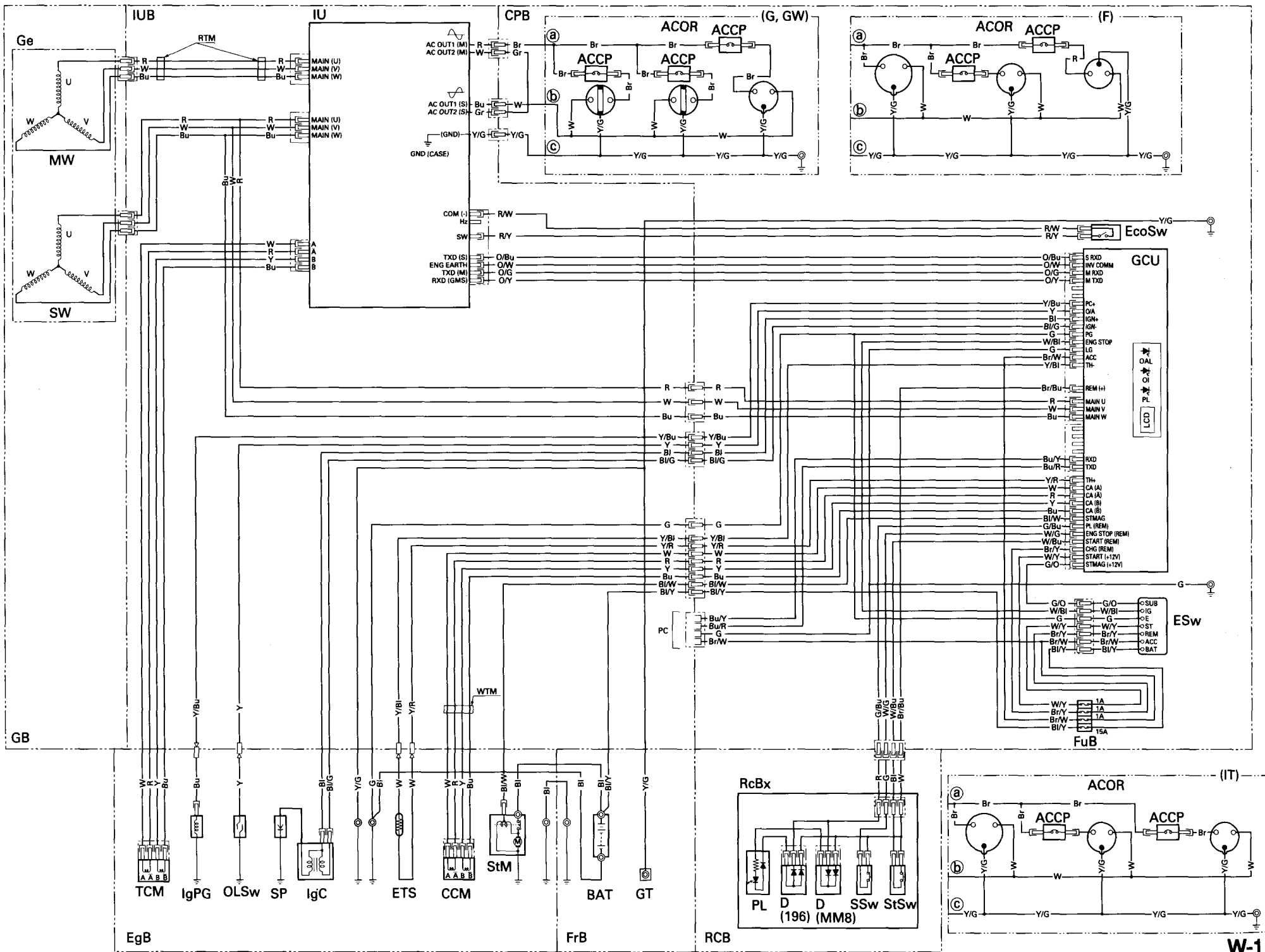
	E	IG	ST	SUB	ACC	BAT	REM
REMOTE 				○	—	○	○
OFF 	○	○					
ON 					○	○	
START 			○	○	○	○	

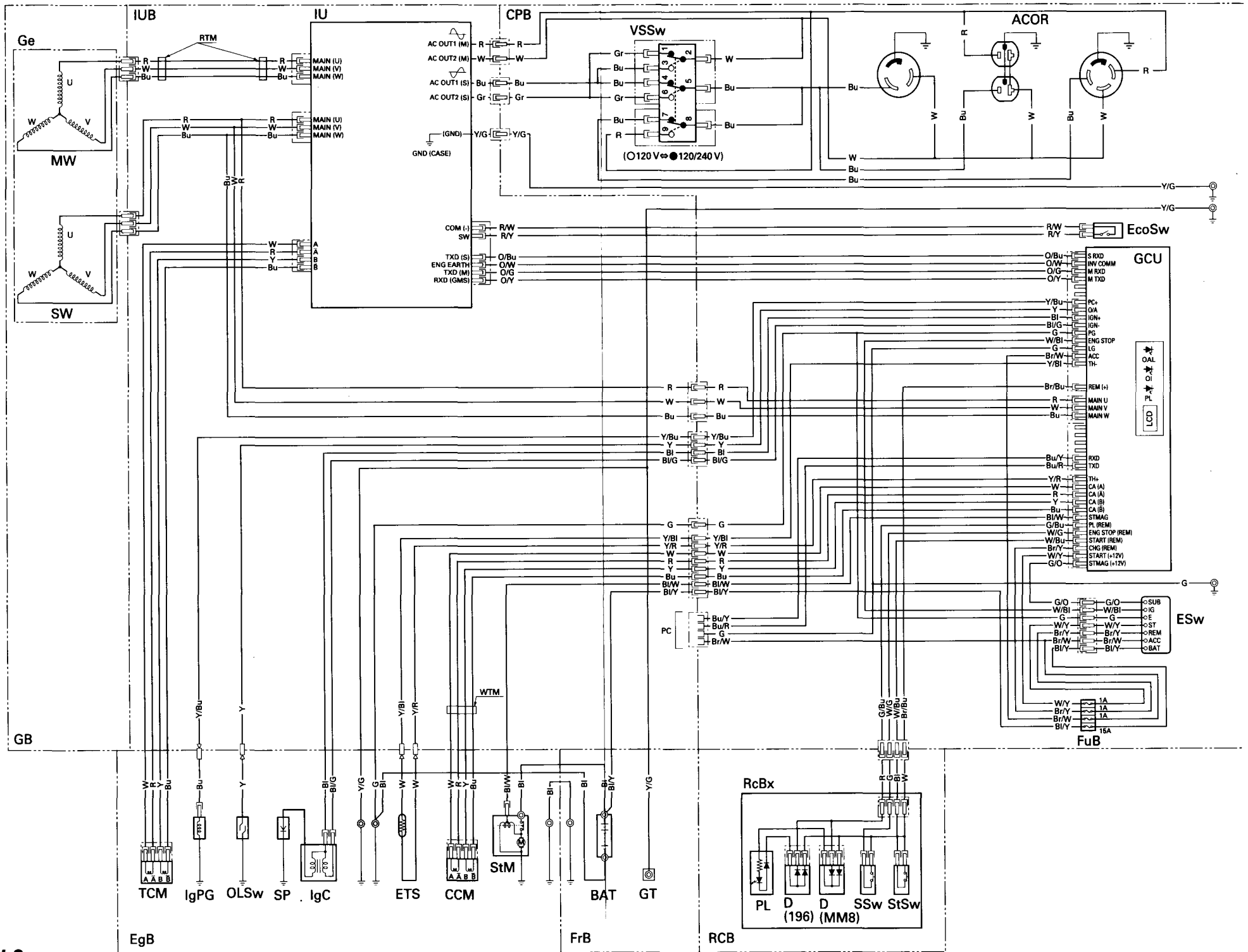
ECOTHROTTLE SWITCH

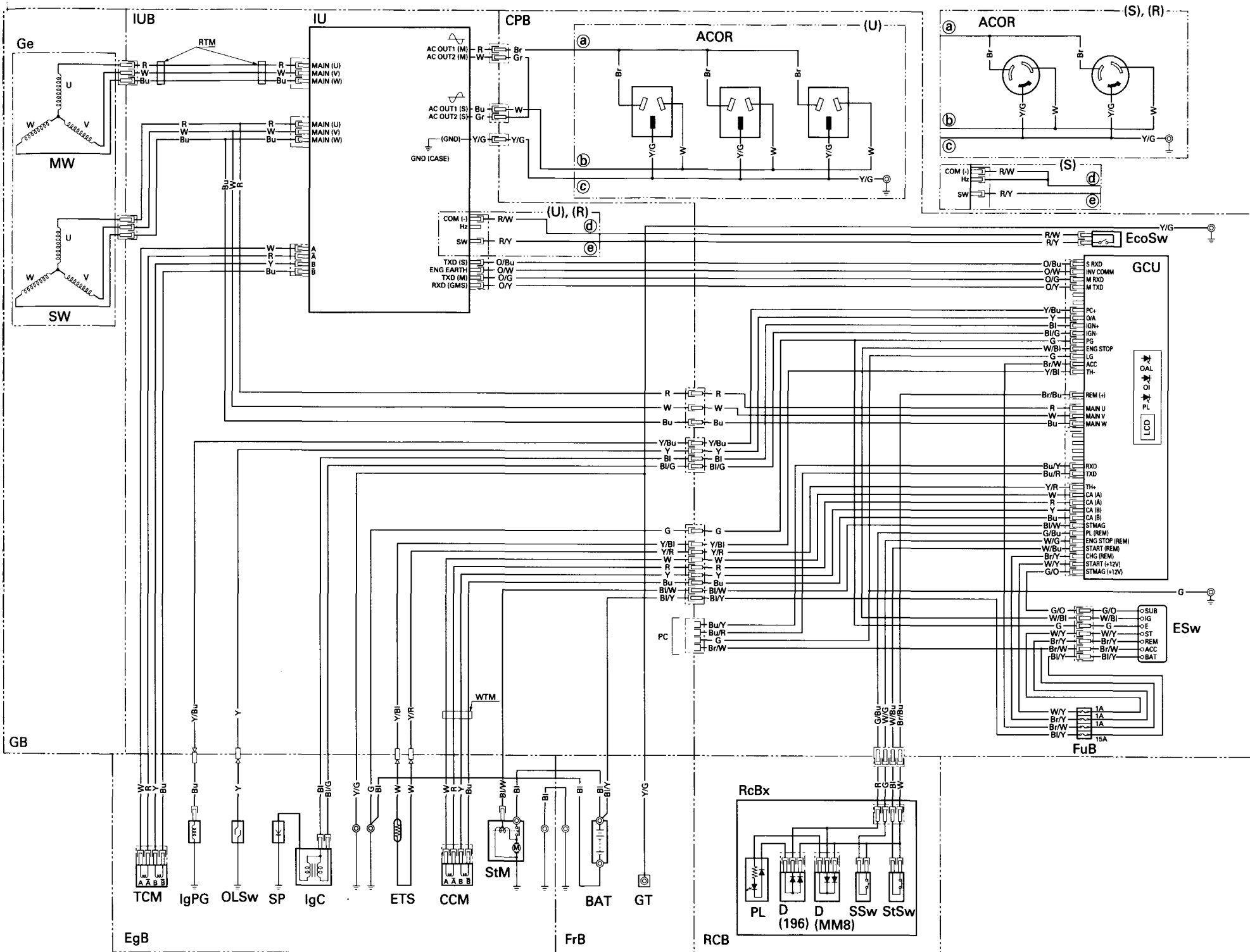
	COM (-)	SW
ON   		
OFF 	○	○

RECEPTACLE

Shape	Type
	U







HONDA

The Power of Dreams

36Z11721
00X36-Z11-7210



© Honda Motor Co., Ltd. 2008

英 仏 独 西 Y HC 300.2008.07

Printed in Japan